

C.I.P.

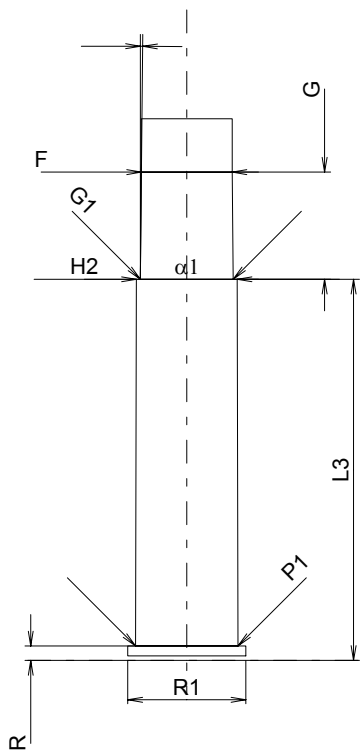
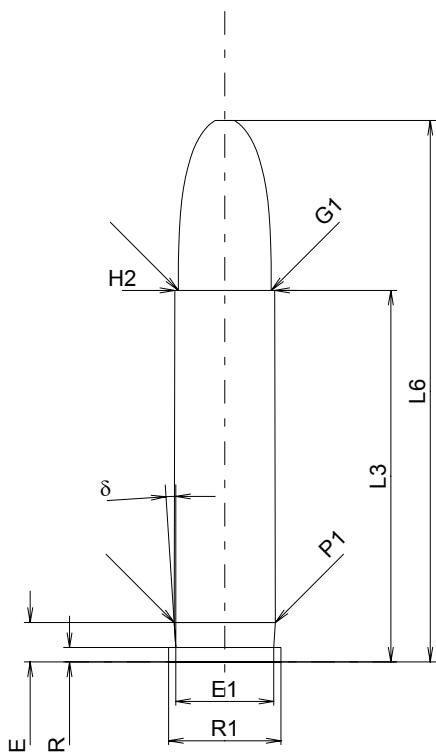
32 Win. SL

Country of Origin: US

TAB. II

Date 84-06-14

Revision 02-05-15



Scale 1.5:1

CARTRIDGE MAXI

Lengths

L1	=	
L2	=	
L3 ¹⁾	=	32.77
L4	=	
L5	=	
L6	=	47.75

Case Head

R ¹⁾	=	1.27	-0.25
R1	=	9.91	
R3	=		
E	=	3.49	
E1	=	8.64	
e min	=		
δ	=	3°44'24"	
f	=		
β	=		

Powder Chamber

P1	=	8.93
P2	=	

Junction Cone

α	=	
S	=	
r1 min	=	
r2	=	

Collar

H1	=	
H2 ¹⁾	=	8.81

Projectile

G1 ¹⁾	=	8.18
G2	=	
F	=	
L3+G ¹⁾	=	42.22

Pressures (Energies)

Method Transducer

Pmax	=	1550 bar
PK	=	1783 bar
PE	=	1940 bar
M	=	17.50
EE	=	1080 Joule

Miscellaneous Dimensions

Fe ¹⁾	=	0.15
delta L	=	

CHAMBER MINI

Lengths

L1	=	
L2	=	
L3 ¹⁾	=	33.60

Breech

R ¹⁾	=	1.27
R1	=	10.41
R2	=	
R3	=	
r	=	

Powder Chamber

E	=	
P1 ¹⁾	=	9.05
P2	=	

Junction Cone

α	=	
S	=	
r1 max	=	
r2	=	

Collar

H1	=	
H2 ¹⁾	=	8.88

Commencement of Rifling

G1 ^{1)*}	=	8.19
G ¹⁾	=	9.45
$\alpha 1^*$	=	180°
h	=	
s	=	
i ^{1)*}	=	0°34'32"
w	=	

Barrel

F ^{1)*}	=	8.00
Z ¹⁾	=	8.13

Grooves

b	=	2.51
N	=	6
u	=	406.00
Q	=	51.26 mm ²

Dimensions in << mm >>
Dimensions and Tolerances for Proof Barrels
see Appendix CR 1.

Notes: 1) Check for safety reasons
* Basic dimensions