

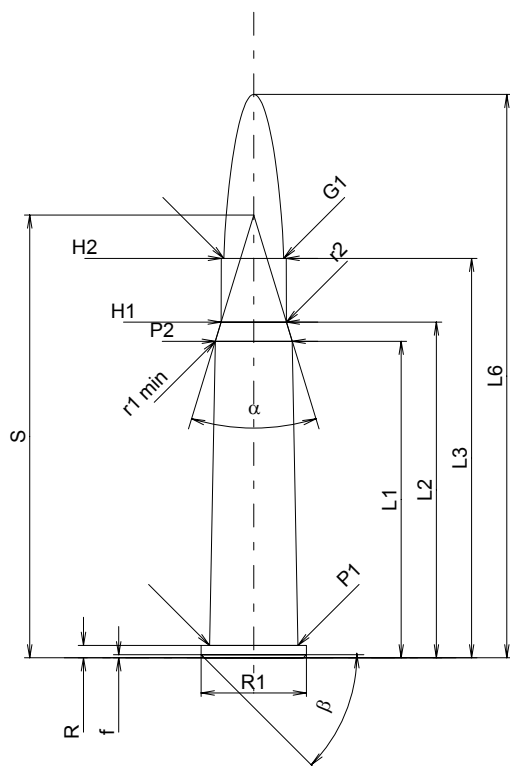
**C.I.P.****303 Sporting**

TAB. II

Date 00-11-13

Revision 02-05-15

Country of Origin: FR

**CARTRIDGE MAXI****Lengths**

L1*	=	41.85
L2*	=	44.39
L3 <sup>1)</sup>	=	52.82
L4	=	
L5	=	
L6	=	74.49

**Case Head**

R <sup>1)</sup>	=	1.63	-0.25
R1	=	13.92	
R3	=		
E	=		
E1	=		
e min	=		
delta	=		
f	=	0.40	
beta	=	45°	

**Powder Chamber**

P1	=	11.70
P2*	=	10.19

**Junction Cone**

alpha	=	33°56'08"
S	=	58.55
r1 min	=	2.29
r2	=	2.29

**Collar**

H1*	=	8.64
H2 <sup>1)</sup>	=	8.59

**Projectile**

G1 <sup>1)</sup>	=	7.92
G2	=	
F	=	
L3+G <sup>1)</sup>	=	67.45

**Pressures (Energies)****Method Transducer**

Pmax	=	3300 bar
PK	=	3795 bar
PE	=	4125 bar
M	=	25.00
EE	=	2800 Joule

**Miscellaneous Dimensions**

Fe <sup>1)</sup>	=	0.15
delta L	=	

**CHAMBER MINI****Lengths**

L1*	=	42.42
L2*	=	44.44
L3 <sup>1)</sup>	=	52.82

**Breech**

R <sup>1)</sup>	=	1.63
R1	=	13.97
R2	=	
R3	=	
r	=	

**Powder Chamber**

E	=	
P1 <sup>1)</sup>	=	11.74
P2*	=	10.25

**Junction Cone**

alpha	=	40°29'20"
S	=	56.32
r1 max	=	
r2	=	

**Collar**

H1*	=	8.76
H2 <sup>1)</sup>	=	8.66

**Commencement of Rifling**

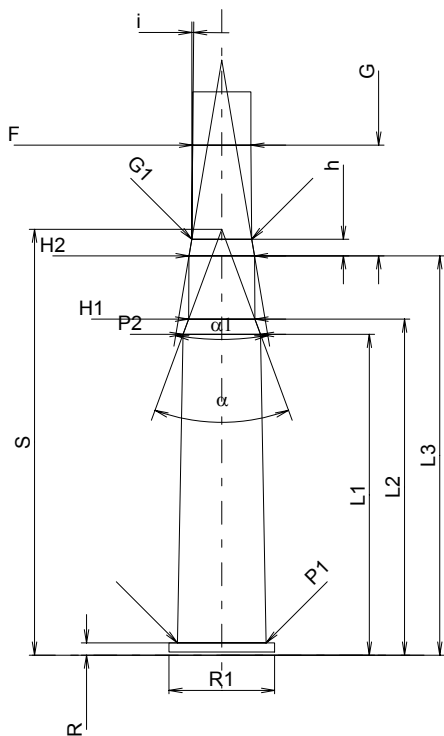
G1 <sup>1)</sup> *	=	7.93
G <sup>1)</sup> *	=	14.63
alpha1	=	19°00'36"
h*	=	2.18
s	=	
i <sup>1)</sup>	=	0°31'45"
w	=	

**Barrel**

F <sup>1)</sup> *	=	7.70
Z <sup>1)</sup>	=	7.98

**Grooves**

b	=	2.12
N	=	5
u	=	254.00
Q	=	48.07 mm <sup>2</sup>



Scale 1:1

Dimensions in << mm >>  
Dimensions and Tolerances for Proof Barrels  
see Appendix R 1.

Notes: 1) Check for safety reasons  
\* Basic dimensions