

C.I.P.

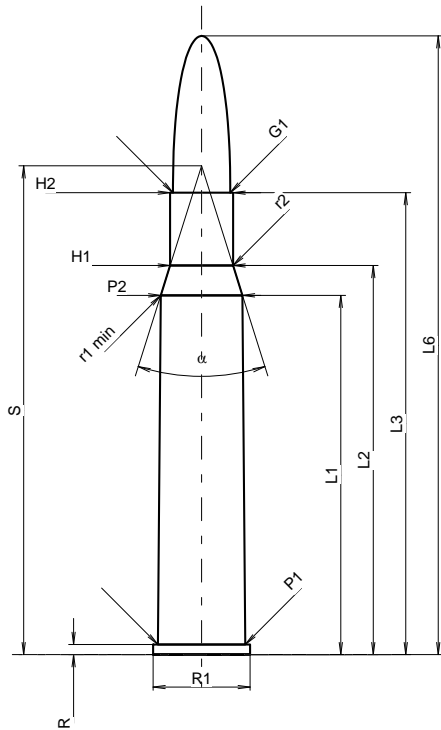
30-06 R Stief

Country of Origin: DE

TAB. II

Date 09-05-05

Revision



CARTRIDGE MAXI

Lengths

L1	=	49.27
L2	=	53.35
L3 1)	=	63.35
L4	=	
L5	=	
L6	=	84.84

Case Head

R 1)	=	1.40	-0.25
R1	=	13.32	
R3	=		
E	=		
E1	=		
e min	=		
delta	=		
f	=		
beta	=		

Powder Chamber

P1	=	11.99
P2 *	=	11.20

Junction Cone

alpha *	=	35°
S *	=	67.03
r1 min	=	1.27
r2	=	2.54

Collar

H1 *	=	8.63
H2 1)	=	8.63

Projectile

G1 1)	=	7.85
G2	=	
F	=	
L3+G 1)	=	69.55

Pressures (Energies)

Method Transducer

Pmax	=	4050 bar
PK	=	4658 bar
PE	=	5060 bar
M	=	25.00
EE	=	4335 Joule

Miscellaneous Dimensions

Fe 1)4)	=	0.10
delta L	=	

CHAMBER MINI

Lengths

L1	=	49.27
L2	=	53.36
L3 1)	=	63.55

Breech

R 1)	=	1.40
R1	=	13.37
R2	=	
R3	=	
r	=	

Powder Chamber

E	=	
P1 1)	=	12.02
P2 *	=	11.24

Junction Cone

alpha *	=	34°30'
S *	=	67.37
r1 max	=	1.27
r2	=	3.05

Collar

H1 *	=	8.70
H2 1)	=	8.65

Commencement of Rifling

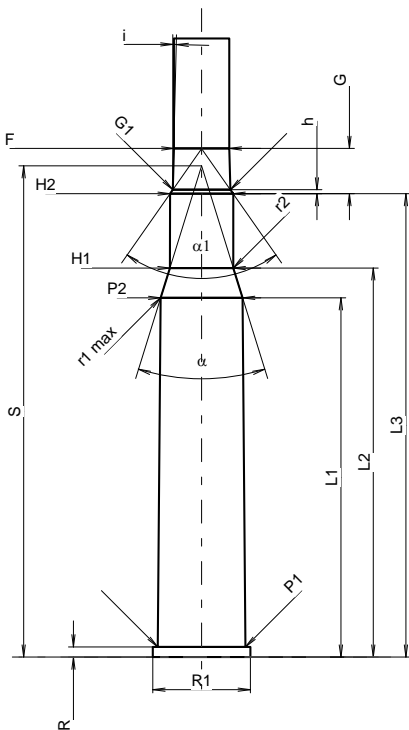
G1 1)*	=	7.89
G 1)	=	6.20
alpha 1	=	70°
h *	=	0.54
s	=	
i 1)*	=	1°22'
w	=	

Barrel

F 1)*	=	7.62
Z 1)	=	7.82

Grooves

b	=	4.49
N	=	4
u	=	254.00
Q	=	47.52 mm ²



Scale 1:1.04

Dimensions in << mm >>
Dimensions and Tolerances for Proof Barrels
see Appendix CR 1.

Notes: 1) Check for safety reasons
4) Headspace on Rim
* Basic dimensions