

C.I.P.

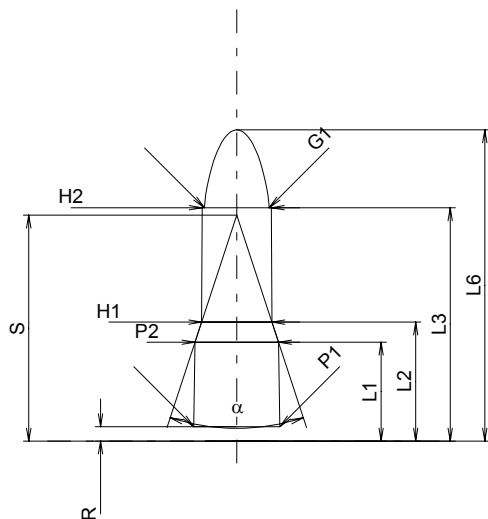
297/230 Morris Ig

TAB. II

Date 84-06-14

Country of Origin: GB

Revision 00-06-07



CARTRIDGE MAXI

Lengths

L1*	=	8.71
L2*	=	10.49
L3 ¹⁾	=	20.57
L4	=	
L5	=	
L6	=	27.43

Case Head

R	=	1.27	-0.25
R1	=		
R3	=		
E	=		
E1	=		
e min	=		
delta	=		
f	=		
beta	=		

Powder Chamber

P1	=	7.59
P2*	=	7.37

Junction Cone

alpha	=	36°23'11"
S	=	19.92
r1 min	=	
r2	=	

Collar

H1*	=	6.20
H2 ¹⁾	=	6.10

Projectile

G1 ¹⁾	=	5.71
G2	=	
F	=	
L3+G ¹⁾	=	24.39

Pressures (Energies)

Miscellaneous Dimensions

Fe	=	
delta L	=	

CHAMBER MINI

Lengths

L1*	=	8.74
L2*	=	10.52
L3 ¹⁾	=	20.83

Breech

R ¹⁾	=	1.30
R1	=	9.14
R2	=	
R3	=	
r	=	

Powder Chamber

E	=	
P1 ¹⁾	=	7.62
P2*	=	7.39

Junction Cone

alpha	=	36°23'09"
S	=	19.98
r1 max	=	
r2	=	

Collar

H1*	=	6.22
H2 ¹⁾	=	6.12

Commencement of Rifling

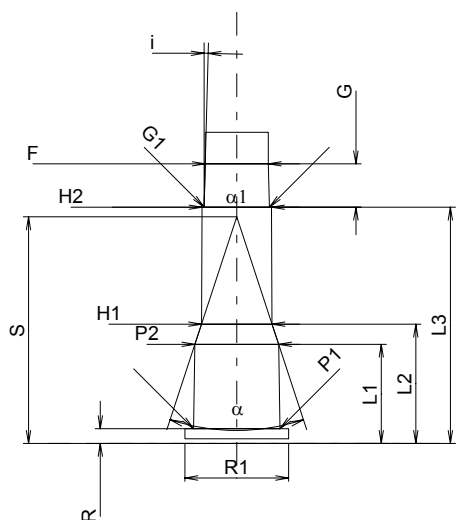
G1 ¹⁾ *	=	5.76
G ¹⁾ *	=	3.82
alpha1	=	180°
h	=	
s	=	
i ¹⁾	=	1°30'
w	=	

Barrel

F ¹⁾ *	=	5.56
Z ¹⁾	=	5.69

Grooves

b	=	
N	=	
u	=	255.00
Q	=	24.28 mm ²



Scale 1.5:1

Dimensions in << mm >>
Dimensions and Tolerances for Proof Barrels
see Appendix CR 1.

Notes: 1) Check for safety reasons
* Basic dimensions