

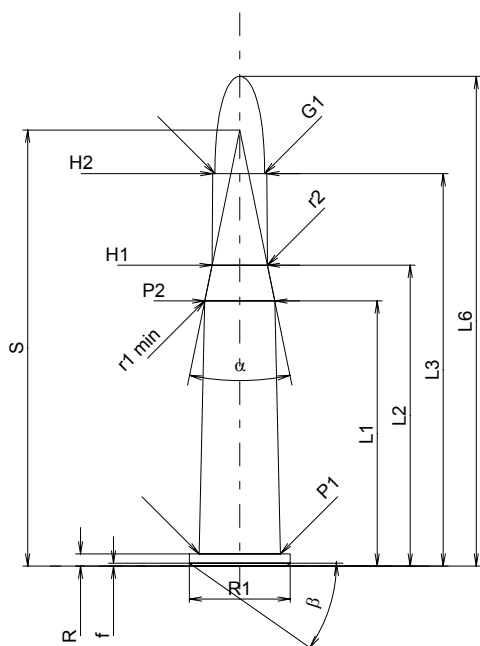
C.I.P.**25-35 Win.**

TAB. II

Date 84-06-14

Country of Origin: US

Revision 02-05-15

**CARTRIDGE MAXI****Lengths**

| | | |
|------------------|---|-------|
| L1 | = | 35.06 |
| L2 | = | 39.78 |
| L3 ¹⁾ | = | 51.89 |
| L4 | = | |
| L5 | = | |
| L6 | = | 64.77 |

Case Head

| | | | |
|-----------------|---|-------|-------|
| R ¹⁾ | = | 1.60 | -0.25 |
| R1 | = | 13.35 | |
| R3 | = | | |
| E | = | | |
| E1 | = | | |
| e min | = | | |
| delta | = | | |
| f | = | 0.38 | |
| beta | = | 35° | |

Powder Chamber

| | | |
|-----|---|-------|
| P1 | = | 10.73 |
| P2* | = | 9.25 |

Junction Cone

| | | |
|--------|---|-----------|
| alpha* | = | 23°07'59" |
| S* | = | 57.66 |
| r1 min | = | 18.80 |
| r2 | = | 12.70 |

Collar

| | | |
|------------------|---|------|
| H1* | = | 7.32 |
| H2 ¹⁾ | = | 7.15 |

Projectile

| | | |
|--------------------|---|-------|
| G1 ¹⁾ | = | 6.55 |
| G2 | = | |
| F | = | |
| L3+G ¹⁾ | = | 55.68 |

Pressures (Energies)**Method Transducer**

| | | |
|------|---|------------|
| Pmax | = | 3050 bar |
| PK | = | 3508 bar |
| PE | = | 3810 bar |
| M | = | 25.00 |
| EE | = | 1750 Joule |

Miscellaneous Dimensions

| | | |
|------------------|---|------|
| Fe ¹⁾ | = | 0.15 |
| delta L | = | |

CHAMBER MINI**Lengths**

| | | |
|------------------|---|-------|
| L1 | = | 35.20 |
| L2 | = | 39.86 |
| L3 ¹⁾ | = | 52.02 |

Breech

| | | |
|-----------------|---|-------|
| R ¹⁾ | = | 1.60 |
| R1 | = | 13.11 |
| R2 | = | |
| R3 | = | |
| r | = | |

Powder Chamber

| | | |
|------------------|---|-------|
| E | = | |
| P1 ¹⁾ | = | 10.74 |
| P2* | = | 9.26 |

Junction Cone

| | | |
|--------|---|-----------|
| alpha* | = | 23°07'58" |
| S* | = | 57.82 |
| r1 max | = | 15.24 |
| r2 | = | 12.70 |

Collar

| | | |
|------------------|---|------|
| H1* | = | 7.35 |
| H2 ¹⁾ | = | 7.18 |

Commencement of Rifling

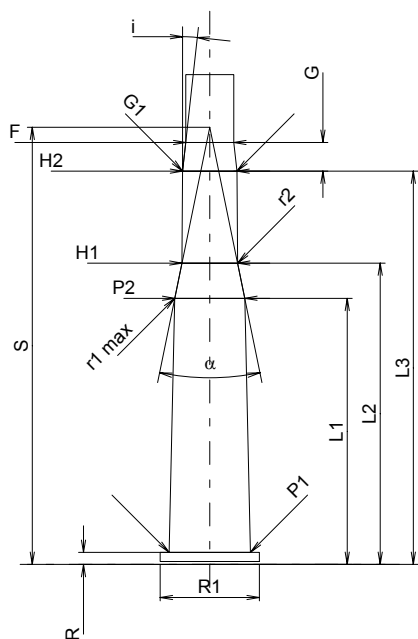
| | | |
|--------------------|---|-------|
| G1 ¹⁾ * | = | 7.18 |
| G ¹⁾ | = | 3.79 |
| alpha1* | = | 180° |
| h | = | |
| s | = | |
| i ¹⁾ * | = | 6°15' |
| w | = | |

Barrel

| | | |
|-------------------|---|------|
| F ¹⁾ * | = | 6.35 |
| Z ¹⁾ | = | 6.50 |

Grooves

| | | |
|---|---|-----------------------|
| b | = | 2.00 |
| N | = | 6 |
| u | = | 203.00 |
| Q | = | 32.58 mm ² |



Scale 1:1

Dimensions in << mm >>
Dimensions and Tolerances for Proof Barrels
see Appendix CR 1.

Notes: 1) Check for safety reasons
* Basic dimensions