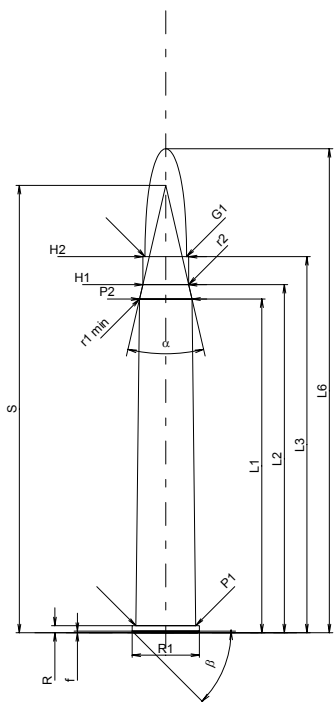


C.I.P.

8 x 75 RS

TAB. II
Date 84-06-14

Country of Origin: DE

Revision 02-05-15

CARTRIDGE MAXI
Lengths

L1*	=	66.20
L2*	=	69.06
L3 ¹⁾	=	74.60
L4	=	
L5	=	
L6	=	96.00

Case Head

R ¹⁾	=	1.40	-0.25
R1	=	13.35	
R3	=		
E	=		
E1	=		
e min	=		
δ	=		
f	=	0.30	
β	=	45°	

Powder Chamber

P1	=	11.90
P2*	=	10.40

Junction Cone

α	=	26°
S	=	88.72
r1 min	=	0.50
r2	=	0.50

Collar

H1*	=	9.08
H2 ¹⁾	=	9.08

Projectile

G1 ¹⁾	=	8.22
G2	=	
F	=	
L3+G ¹⁾	=	108.60

Pressures (Energies)
Method Transducer

Pmax	=	3800 bar
PK	=	4370 bar
PE	=	4750 bar
M	=	25.00
EE	=	4790 Joule

Miscellaneous Dimensions

Fe ¹⁾	=	0.15
delta L	=	

CHAMBER MINI
Lengths

L1*	=	66.20
L2*	=	69.06
L3 ¹⁾	=	75.00

Breech

R ¹⁾	=	1.40
R1	=	13.40
R2	=	
R3	=	
r	=	

Powder Chamber

E	=	
P1 ¹⁾	=	11.93
P2*	=	10.43

Junction Cone

α	=	26°
S	=	88.79
r1 max	=	0.50
r2	=	0.50

Collar

H1*	=	9.11
H2 ¹⁾	=	9.10

Commencement of Rifling

G1 ¹⁾ *	=	8.23
G ¹⁾ *	=	34.00
α1	=	180°
h	=	
s	=	
i ¹⁾	=	0°17'11"
w	=	

Barrel

F ¹⁾ *	=	7.89
Z ¹⁾	=	8.20

Grooves

b	=	4.40
N	=	4
u	=	240.00
Q	=	51.78 mm ²

Scale 1:1.5

 Dimensions in << mm >>
 Dimensions and Tolerances for Proof Barrels
 see Appendix CR 1.

 Notes: 1) Check for safety reasons
 * Basic dimensions