

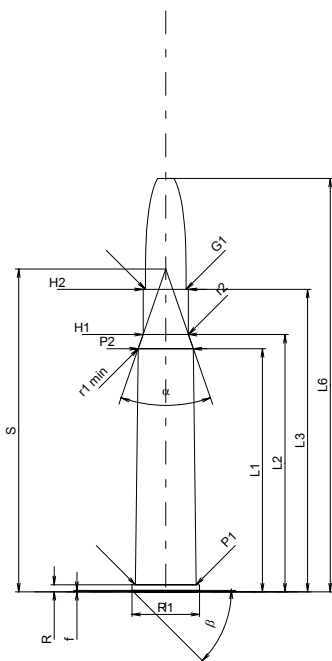
C.I.P.**8 x 60 R**

TAB. II

Date 84-06-14

Country of Origin: DE

Revision 02-05-15

**CARTRIDGE MAXI****Lengths**

L1 *	=	48.22
L2 *	=	51.05
L3 ¹⁾	=	60.00
L4	=	
L5	=	
L6	=	82.00

Case Head

R ¹⁾	=	1.40	-0.25
R1	=	13.40	
R3	=		
E	=		
E1	=		
e min	=		
delta	=		
f	=	0.30	
beta	=	45°	

Powder Chamber

P1	=	12.03
P2 *	=	10.95

Junction Cone

alpha	=	38°12'02"
S	=	64.03
r1 min	=	0.50
r2	=	0.50

Collar

H1 *	=	8.99
H2 ¹⁾	=	8.99

Projectile

G1 ¹⁾	=	8.09
G2	=	
F	=	
L3+G ¹⁾	=	99.00

Pressures (Energies)**Method Transducer**

Pmax	=	3400 bar
PK	=	3910 bar
PE	=	4250 bar
M	=	25.00
EE	=	3780 Joule

Miscellaneous Dimensions

Fe ¹⁾	=	0.15
delta L	=	

CHAMBER MINI**Lengths**

L1 *	=	48.22
L2 *	=	51.05
L3 ¹⁾	=	60.30

Breech

R ¹⁾	=	1.40
R1	=	13.45
R2	=	
R3	=	
r	=	

Powder Chamber

E	=	
P1 ¹⁾	=	12.06
P2 *	=	10.98

Junction Cone

alpha	=	38°12'03"
S	=	64.07
r1 max	=	0.50
r2	=	0.50

Collar

H1 *	=	9.02
H2 ¹⁾	=	9.01

Commencement of Rifling

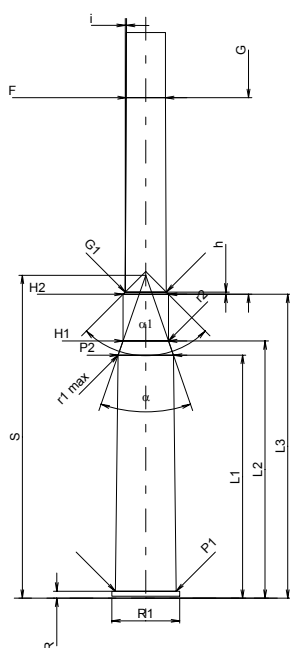
G1 ¹⁾ *	=	8.13
G ¹⁾ *	=	39.00
alpha1	=	90°
h *	=	0.44
s	=	
i ¹⁾	=	0°14'42"
w	=	

Barrel

F ¹⁾ *	=	7.80
Z ¹⁾	=	8.07

Grooves

b	=	4.40
N	=	4
u	=	240.00
Q	=	50.30 mm ²



Scale 1:1.5

Dimensions in << mm >>
Dimensions and Tolerances for Proof Barrels
see Appendix CR 1.

Notes: 1) Check for safety reasons
* Basic dimensions