

# C.I.P.

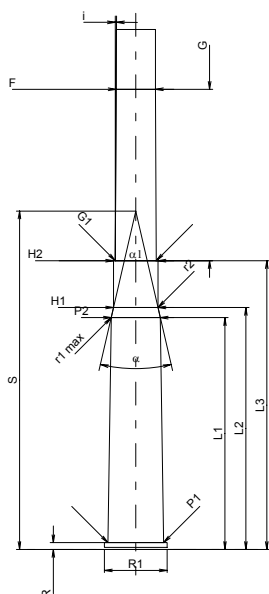
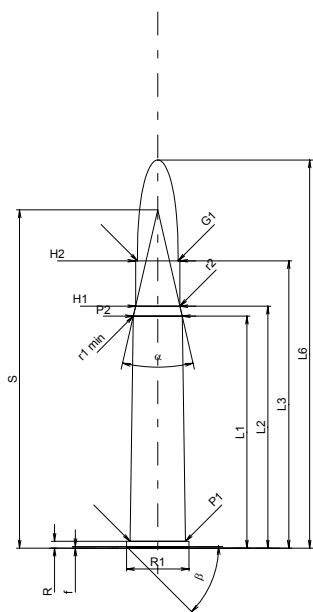
## 8 x 57 R 360

Country of Origin: DE

TAB. II

Date 84-06-14

Revision 02-05-15



Scale 1:1.5

Dimensions in << mm >>  
Dimensions and Tolerances for Proof Barrels  
see Appendix CR 1.

### CARTRIDGE MAXI

#### Lengths

L1 *	=	46.00
L2 *	=	48.00
L3 <sup>1)</sup>	=	57.00
L4	=	
L5	=	
L6	=	77.00

#### Case Head

R <sup>1)</sup>	=	1.35	-0.25
R1	=	12.40	
R3	=		
E	=		
E1	=		
e min	=		
delta	=		
f	=	0.30	
beta	=	45°	

#### Powder Chamber

P1	=	11.00
P2 *	=	9.70

#### Junction Cone

alpha	=	25°54'20"
S	=	67.09
r1 min	=	0.50
r2	=	0.50

#### Collar

H1 *	=	8.78
H2 <sup>1)</sup>	=	8.78

#### Projectile

G1 <sup>1)</sup>	=	8.09
G2	=	
F	=	
L3+G <sup>1)</sup>	=	91.00

#### Pressures (Energies)

##### Method Transducer

Pmax	=	2450 bar
PK	=	2818 bar
PE	=	3060 bar
M	=	25.00
EE	=	2170 Joule

#### Miscellaneous Dimensions

Fe <sup>1)</sup>	=	0.15
delta L	=	

### CHAMBER MINI

#### Lengths

L1 *	=	46.00
L2 *	=	48.00
L3 <sup>1)</sup>	=	57.30

#### Breech

R <sup>1)</sup>	=	1.35
R1	=	12.45
R2	=	
R3	=	
r	=	

#### Powder Chamber

E	=	
P1 <sup>1)</sup>	=	11.03
P2 *	=	9.73

#### Junction Cone

alpha	=	25°54'21"
S	=	67.15
r1 max	=	0.50
r2	=	0.50

#### Collar

H1 *	=	8.81
H2 <sup>1)</sup>	=	8.80

#### Commencement of Rifling

G1 <sup>1)</sup> *	=	8.14
G <sup>1)</sup> *	=	34.00
alpha1	=	180°
h	=	
s	=	
i <sup>1)</sup>	=	0°17'11"
w	=	

#### Barrel

F <sup>1)</sup> *	=	7.80
Z <sup>1)</sup>	=	8.07

#### Grooves

b	=	4.40
N	=	4
u	=	240.00
Q	=	50.30 mm <sup>2</sup>

Notes: 1) Check for safety reasons  
\* Basic dimensions