

C.I.P.

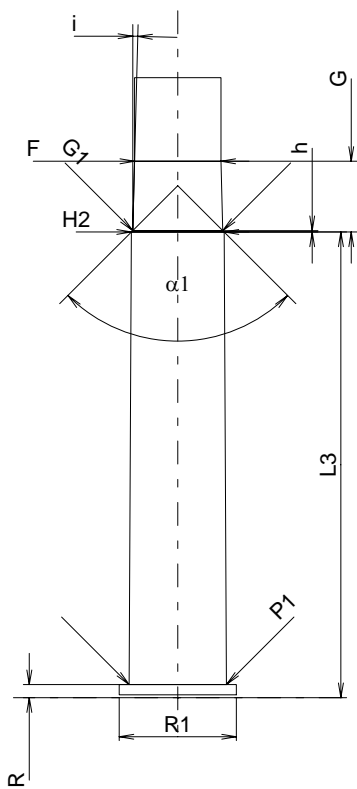
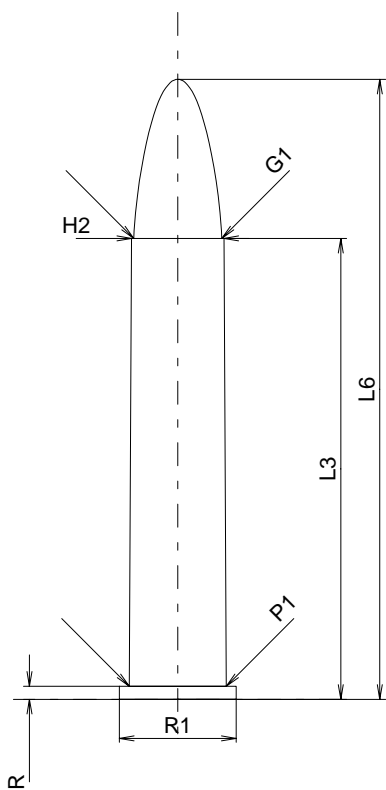
45-90 WM

Country of Origin: DE

TAB. II

Date 03-04-08

Revision 04-09-27



Scale 1:1

Dimensions in << mm >>
Dimensions and Tolerances for Proof Barrels
see Appendix CR 1.

CARTRIDGE MAXI

Lengths

L1	=	
L2	=	
L3 ¹⁾	=	60.96
L4	=	
L5	=	
L6	=	82.00

Case Head

R ¹⁾	=	1.73	-0.25
R1	=	15.44	
R3	=		
E	=		
E1	=		
e min	=		
δ	=		
f	=		
β	=		

Powder Chamber

P1	=	12.82
P2	=	

Junction Cone

α	=	
S	=	
r1 min	=	
r2	=	

Collar

H1	=	
H2 ¹⁾	=	12.22

Projectile

G1 ¹⁾	=	11.63
G2	=	
F	=	
L3+G ¹⁾	=	70.30

Pressures (Energies)

Method Transducer

Pmax	=	2200 bar
PK	=	2530 bar
PE	=	2750 bar
M	=	25.00
EE	=	3650 Joule

Miscellaneous Dimensions

Fe	=	0.15
delta L	=	

CHAMBER MINI

Lengths

L1	=	
L2	=	
L3 ¹⁾	=	61.60

Breech

R ¹⁾	=	1.73
R1	=	15.50
R2	=	
R3	=	
r	=	

Powder Chamber

E	=	
P1 ¹⁾	=	12.85
P2	=	

Junction Cone

α	=	
S	=	
r1 max	=	
r2	=	

Collar

H1	=	
H2 ¹⁾	=	12.25

Commencement of Rifling

G1 ^{1)*}	=	11.91
G ^{1)*}	=	9.34
α_1	=	90°
h [*]	=	0.17
s	=	
i ¹⁾	=	1°29'57"
w	=	

Barrel

F ^{1)*}	=	11.43
Z ¹⁾	=	11.58

Grooves

b	=	3.58
N	=	6
u	=	508.00
Q	=	104.25 mm ²

Notes: 1) Check for safety reasons
* Basic dimensions