

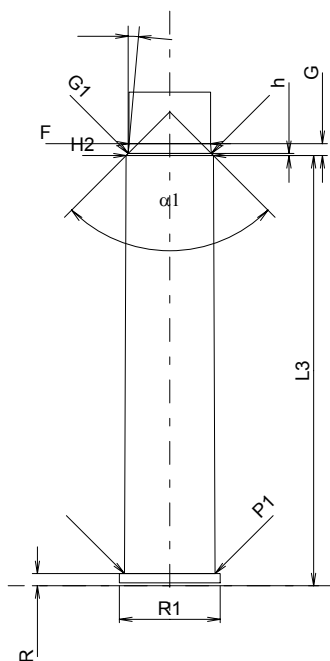
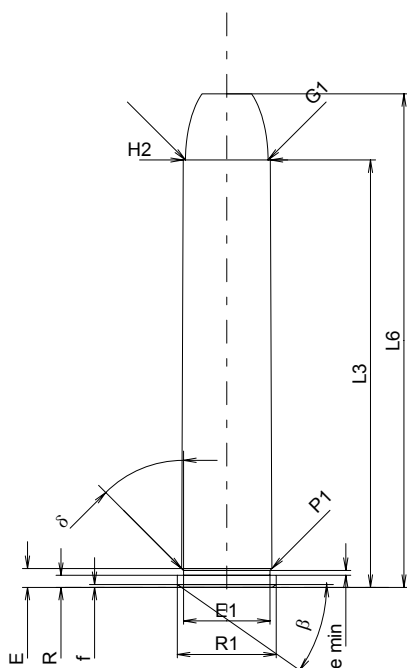
**C.I.P.****444 Marlin**

Country of Origin: US

TAB. II

Date 84-06-14

Revision 02-05-15



Scale 1:1

Dimensions in << mm >>  
Dimensions and Tolerances for Proof Barrels  
see Appendix CR 1.

**CARTRIDGE MAXI****Lengths**

L1	=	
L2	=	
L3 <sup>1)</sup>	=	56.52
L4	=	
L5	=	
L6	=	65.28

**Case Head**

R <sup>1)</sup>	=	1.60	-0.25
R1	=	13.06	
R3	=		
E	=	2.50	
E1	=	11.43	
e min	=	0.64	
delta	=	45°	
f	=	0.38	
beta	=	35°	

**Powder Chamber**

P1	=	11.95
P2	=	

**Junction Cone**

alpha	=	
S	=	
r1 min	=	
r2	=	

**Collar**

H1	=	
H2 <sup>1)</sup>	=	11.51

**Projectile**

G1 <sup>1)</sup>	=	10.93
G2	=	
F	=	
L3+G <sup>1)</sup>	=	58.10

**Pressures (Energies)****Method Transducer**

Pmax	=	3550 bar
PK	=	4083 bar
PE	=	4440 bar
M	=	25.00
EE	=	3287 Joule

**Miscellaneous Dimensions**

Fe <sup>1)</sup>	=	0.15
delta L	=	

**CHAMBER MINI****Lengths**

L1	=	
L2	=	
L3 <sup>1)</sup>	=	56.90

**Breech**

R <sup>1)</sup>	=	1.60
R1	=	13.31
R2	=	
R3	=	
r	=	

**Powder Chamber**

E	=	
P1 <sup>1)</sup>	=	11.98
P2	=	

**Junction Cone**

alpha	=	
S	=	
r1 max	=	
r2	=	

**Collar**

H1	=	
H2 <sup>1)</sup>	=	11.54

**Commencement of Rifling**

G1 <sup>1)</sup> *	=	11.00
G <sup>1)</sup>	=	1.58
alpha 1 *	=	90°
h	=	0.27
s	=	
i <sup>1)</sup> *	=	5°
w	=	

**Barrel**

F <sup>1)</sup> *	=	10.77
Z <sup>1)</sup>	=	10.92

**Grooves**

b	=	1.57
N	=	12
u	=	965.00
Q	=	92.52 mm <sup>2</sup>

Notes: 1) Check for safety reasons  
\* Basic dimensions