

C.I.P.

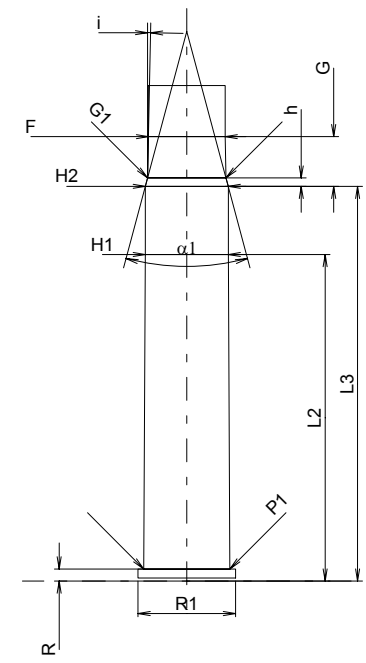
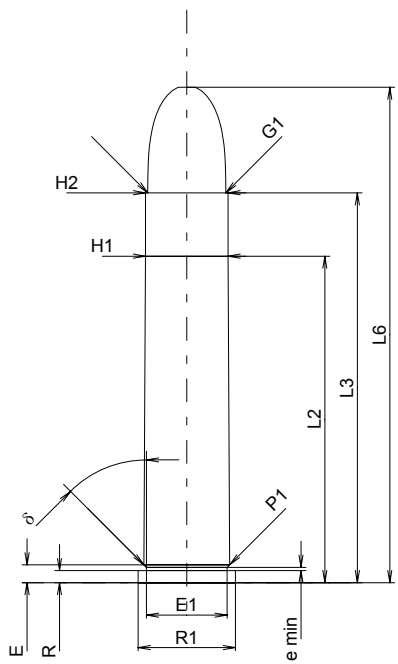
408 Win.

Country of Origin: US

TAB. II

Date 84-06-14

Revision 02-05-15



Scale 1:1

Dimensions in << mm >>
Dimensions and Tolerances for Proof Barrels
see Appendix CR 1.

CARTRIDGE MAXI

Lengths

L1	=	
L2	=	43.18
L3 ¹⁾	=	51.56
L4	=	
L5	=	
L6	=	65.53

Case Head

R ¹⁾	=	1.60	-0.25
R1	=	12.85	
R3	=		
E	=	2.36	
E1	=	10.67	
e min	=	0.43	
delta	=	45°	
f	=		
beta	=		

Powder Chamber

P1	=	11.33
P2	=	

Junction Cone

alpha	=	
S	=	
r1 min	=	
r2	=	

Collar

H1 *	=	10.92
H2 ¹⁾	=	10.92

Projectile

G1 ¹⁾	=	10.31
G2	=	
F	=	
L3+G ¹⁾	=	58.14

Pressures (Energies)

Method Transducer

Pmax	=	4100 bar
PK	=	4715 bar
PE	=	5125 bar
M	=	25.00
EE	=	4190 Joule

Miscellaneous Dimensions

Fe ¹⁾	=	0.10
delta L	=	

CHAMBER MINI

Lengths

L1	=	
L2	=	43.18
L3 ¹⁾	=	52.20

Breech

R ¹⁾	=	1.60
R1	=	12.88
R2	=	
R3	=	
r	=	

Powder Chamber

E	=	
P1 ¹⁾	=	11.39
P2	=	

Junction Cone

alpha	=	
S	=	
r1 max	=	
r2	=	

Collar

H1 *	=	10.97
H2 ¹⁾	=	10.97

Commencement of Rifling

G1 ¹⁾ *	=	10.38
G ¹⁾	=	6.58
alpha1 *	=	30°
h	=	1.10
s	=	
i ¹⁾ *	=	1°12'08"
w	=	

Barrel

F ¹⁾ *	=	10.15
Z ¹⁾	=	10.33

Grooves

b	=	3.19
N	=	6
u	=	356.00
Q	=	82.67 mm ²

Notes: 1) Check for safety reasons
* Basic dimensions