

# C.I.P.

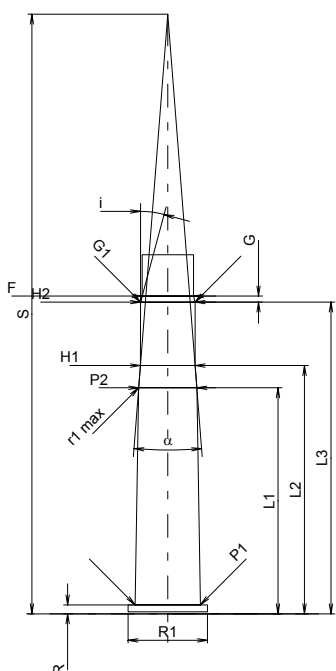
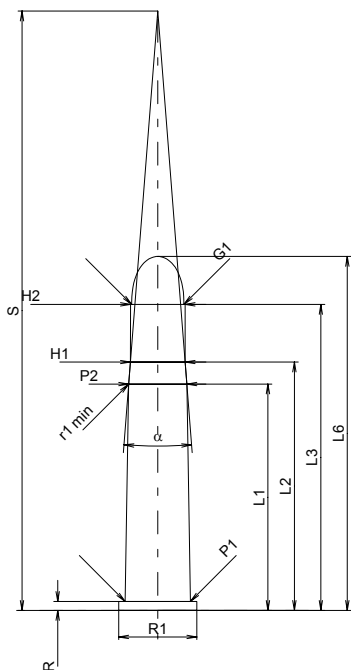
## 40-82 Win.

Country of Origin: US

TAB. II

Date 84-06-14

Revision 02-05-15



Scale 1:1.5

Dimensions in << mm >>  
Dimensions and Tolerances for Proof Barrels  
see Appendix CR 1.

### CARTRIDGE MAXI

#### Lengths

L1	=	44.91
L2	=	49.27
L3 <sup>1)</sup>	=	60.71
L4	=	
L5	=	
L6	=	70.23

#### Case Head

R <sup>1)</sup>	=	1.78	-0.25
R1	=	15.49	
R3	=		
E	=		
E1	=		
e min	=		
delta	=		
f	=		
beta	=	45°	

#### Powder Chamber

P1	=	12.92
P2 *	=	11.54

#### Junction Cone

alpha *	=	8°55'
S *	=	118.91
r1 min	=	25.40
r2	=	

#### Collar

H1 *	=	10.86
H2 <sup>1)</sup>	=	10.85

#### Projectile

G1 <sup>1)</sup>	=	10.35
G2	=	
F	=	
L3+G <sup>1)</sup>	=	61.90

#### Pressures (Energies)

##### Method Transducer

Pmax	=	1650 bar
PK	=	1898 bar
PE	=	2060 bar
M	=	25.00
EE	=	1590 Joule

#### Miscellaneous Dimensions

Fe <sup>1)</sup>	=	0.15
delta L	=	

### CHAMBER MINI

#### Lengths

L1	=	44.83
L2	=	49.25
L3 <sup>1)</sup>	=	61.85

#### Breech

R <sup>1)</sup>	=	1.78
R1	=	15.75
R2	=	
R3	=	
r	=	

#### Powder Chamber

E	=	
P1 <sup>1)</sup>	=	12.95
P2 *	=	11.56

#### Junction Cone

alpha *	=	8°55'01"
S *	=	118.96
r1 max	=	25.00
r2	=	

#### Collar

H1 *	=	10.87
H2 <sup>1)</sup>	=	10.85

#### Commencement of Rifling

G1 <sup>1)</sup> *	=	10.85
G <sup>1)</sup>	=	1.19
alpha 1 *	=	30°
h	=	
s	=	
i <sup>1)</sup> *	=	15°
w	=	

#### Barrel

F <sup>1)</sup> *	=	10.21
Z <sup>1)</sup>	=	10.36

#### Grooves

b	=	3.19
N	=	6
u	=	406.00
Q	=	83.33 mm <sup>2</sup>

Notes: 1) Check for safety reasons  
\* Basic dimensions