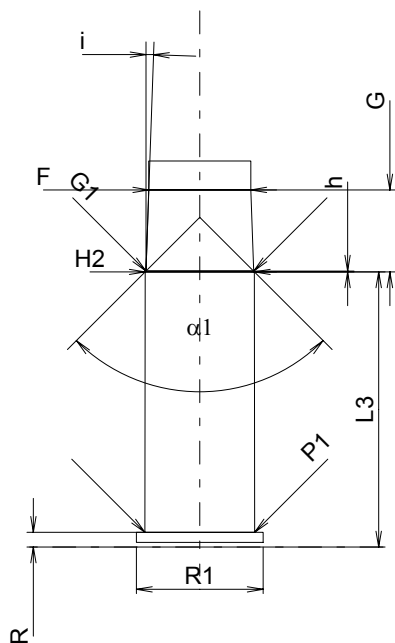
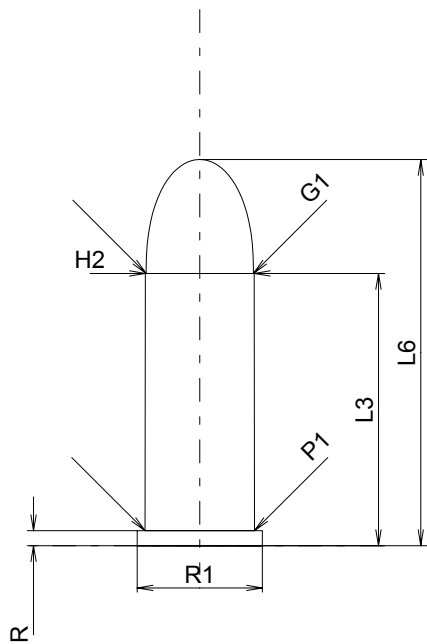


C.I.P.**380 Long Rifle**

Country of Origin: GB

TAB.	II
Date	84-06-14
Revision	02-05-15



Scale 1.5:1

Dimensions in << mm >>
Dimensions and Tolerances for Proof Barrels
see Appendix CR 1.

CARTRIDGE MAXI**Lengths**

L1	=	
L2	=	
L3 ¹⁾	=	24.00
L4	=	
L5	=	
L6	=	34.04

Case Head

R ¹⁾	=	1.32	-0.25
R1	=	11.05	
R3	=		
E	=		
E1	=		
e min	=		
δ	=		
f	=		
β	=	45°	

Powder Chamber

P1	=	9.65
P2	=	

Junction Cone

α	=	
S	=	
r1 min	=	
r2	=	

Collar

H1	=	
H2 ¹⁾	=	9.60

Projectile

G1 ¹⁾	=	9.47
G2	=	
F	=	
L3+G ¹⁾	=	31.23

Pressures (Energies)**Method Transducer**

Pmax	=	950 bar
PK	=	1093 bar
PE	=	1190 bar
M	=	17.50
EE	=	412 Joule

Miscellaneous Dimensions

Fe ¹⁾	=	0.15
delta L	=	

CHAMBER MINI**Lengths**

L1	=	
L2	=	
L3 ¹⁾	=	24.26

Breech

R ¹⁾	=	1.30
R1	=	11.18
R2	=	
R3	=	
r	=	

Powder Chamber

E	=	
P1 ¹⁾	=	9.68
P2	=	

Junction Cone

α	=	
S	=	
r1 max	=	
r2	=	

Collar

H1	=	
H2 ¹⁾	=	9.63

Commencement of Rifling

G1 ^{1)*}	=	9.50
G ^{1)*}	=	7.23
α_1	=	90°
h [*]	=	0.07
s	=	
i ¹⁾	=	2°
w	=	

Barrel

F ^{1)*}	=	9.00
Z ¹⁾	=	9.40

Grooves

b	=	
N	=	
u	=	508.00
Q	=	63.62 mm ²

Notes: 1) Check for safety reasons
* Basic dimensions