

C.I.P.

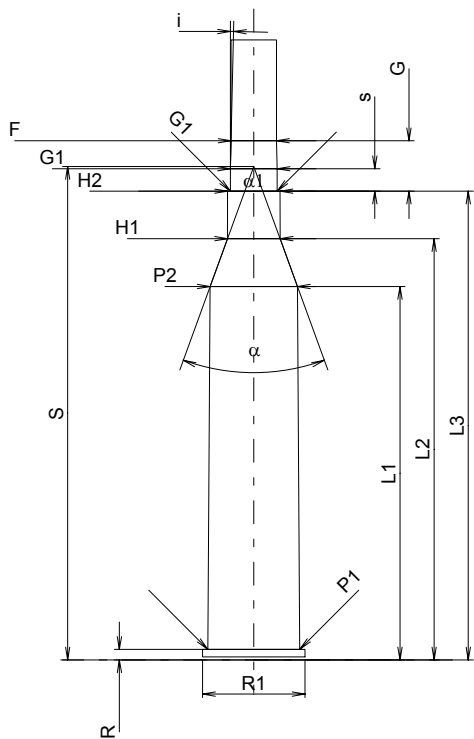
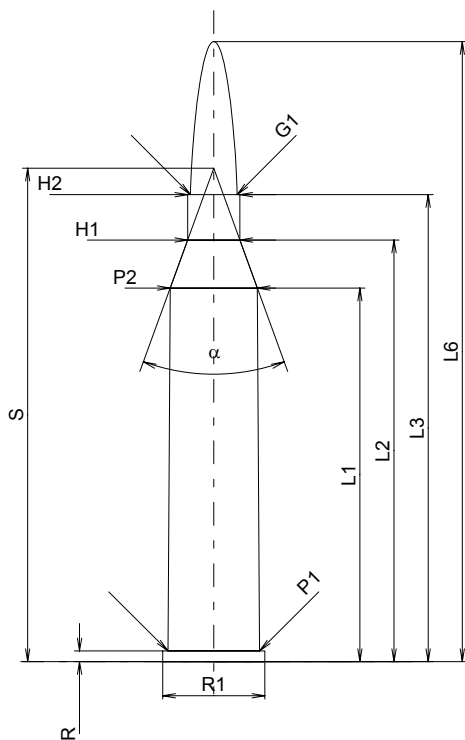
6 x 62 R Freres

Country of Origin: DE

TAB. II

Date 92-02-27

Revision 02-05-15



Scale 1:1

Dimensions in << mm >>
Dimensions and Tolerances for Proof Barrels
see Appendix CR 1.

CARTRIDGE MAXI

Lengths

L1 [*]	=	49.40
L2 [*]	=	55.75
L3 ¹⁾	=	61.75
L4	=	
L5	=	
L6	=	82.00

Case Head

R ¹⁾	=	1.40	-0.25
R1	=	13.50	
R3	=		
E	=		
E1	=		
e min	=		
delta	=		
f	=		
beta	=		

Powder Chamber

P1	=	12.12
P2 [*]	=	11.53

Junction Cone

alpha	=	39°58'50"
S	=	65.25
r1 min	=	
r2	=	

Collar

H1 [*]	=	6.91
H2 ¹⁾	=	6.91

Projectile

G1 ¹⁾	=	6.18
G2	=	
F	=	
L3+G ¹⁾	=	68.42

Pressures (Energies)

Method Transducer

Pmax	=	4300 bar
PK	=	4945 bar
PE	=	5375 bar
M	=	25.00
EE	=	3435 Joule

Miscellaneous Dimensions

Fe ¹⁾	=	0.10
delta L	=	

CHAMBER MINI

Lengths

L1 [*]	=	49.40
L2 [*]	=	55.72
L3 ¹⁾	=	62.00

Breech

R ¹⁾	=	1.40
R1	=	13.55
R2	=	
R3	=	
r	=	

Powder Chamber

E	=	
P1 ¹⁾	=	12.14
P2 [*]	=	11.55

Junction Cone

alpha	=	39°59'42"
S	=	65.27
r1 max	=	
r2	=	

Collar

H1 [*]	=	6.95
H2 ¹⁾	=	6.93

Commencement of Rifling

G1 ¹⁾ *	=	6.19
G ¹⁾ *	=	6.67
alpha1	=	180°
h	=	
s [*]	=	2.97
i ¹⁾	=	1°19'
w	=	

Barrel

F ¹⁾ *	=	6.02
Z ¹⁾	=	6.17

Grooves

b	=	1.73
N	=	6
u	=	260.00
Q	=	29.25 mm ²

Notes: 1) Check for safety reasons
* Basic dimensions