

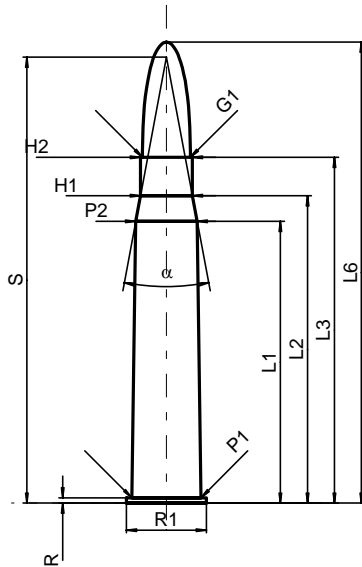
C.I.P.**369 N.E. Purdey**

Ursprungsland: GB

TAB. II

Datum 84-06-14

Revision 02-05-15

**PATRONE MAXI****Längen**

L1*	=	55.88
L2*	=	60.96
L3 ¹⁾	=	68.58
L4	=	
L5	=	
L6	=	91.44

Hülsenboden

R ¹⁾	=	1.07	-0.25
R1	=	15.85	
R3	=		
E	=		
E1	=		
e min	=		
delta	=		
f	=		
beta	=		

Pulverkammer

P1	=	13.74
P2*	=	12.19

Schulterkonus

alpha	=	21°11'05"
S	=	88.47
r1 min	=	
r2	=	

Hülsenhals

H1*	=	10.29
H2 ¹⁾	=	10.29

Geschoss

G1 ¹⁾	=	9.52
G2	=	
F	=	
L3+G ¹⁾	=	78.12

Drücke (Energien)**Mech. elektr. Wandler**

Pmax	=	3050 bar
PK	=	3508 bar
PE	=	3810 bar
M	=	25.00
EE	=	4130 Joule

Verschiedene Daten

Fe ¹⁾	=	0.15
delta L	=	

PATRONENLAGER MINI**Längen**

L1*	=	55.91
L2*	=	60.99
L3 ¹⁾	=	68.83

Stoßboden

R ¹⁾	=	1.09
R1	=	16.10
R2	=	
R3	=	
r	=	

Pulverkammer

E	=	
P1 ¹⁾	=	13.77
P2*	=	12.22

Schulterkonus

alpha	=	21°17'38"
S	=	88.41
r1 max	=	
r2	=	

Hülsenhals

H1*	=	10.31
H2 ¹⁾	=	10.31

Geschossübergang

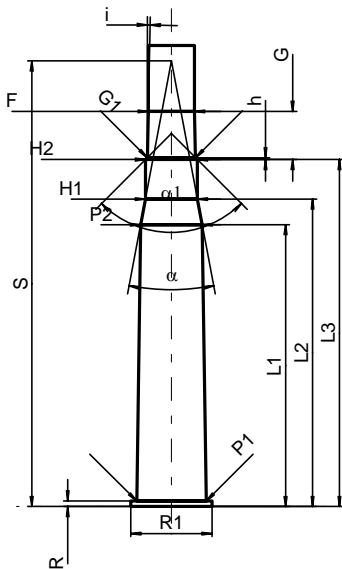
G1 ^{1)*}	=	9.55
G ^{1)*}	=	9.54
alpha1	=	90°
h*	=	0.38
s	=	
i ¹⁾	=	1°15'03"
w	=	

Lauf

F ^{1)*}	=	9.15
Z ¹⁾	=	9.50

Züge

b	=	
N	=	
u	=	406.00
Q	=	65.76 mm ²



Maßstab 1:1.5

Maße in << mm >>
Maße und Toleranzen für Messläufe
siehe Anhang CR 1.

Bemerkungen: 1) Kontrolle aus Sicherheitsgründen
* Grundmaße