

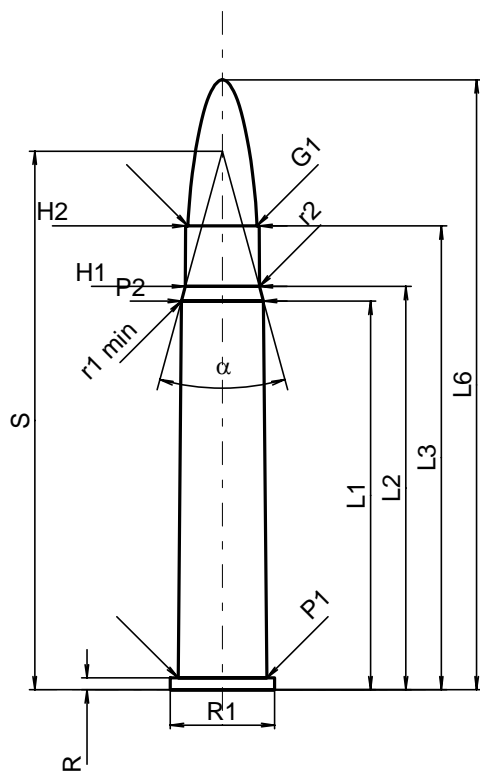
C.I.P.**35 Win.**

TAB. II

Datum 84-06-14

Revision 02-05-15

Ursprungsland: US

**PATRONE MAXI****Längen**

L1	=	51.40
L2	=	53.34
L3 ¹⁾	=	61.34
L4	=	
L5	=	
L6	=	80.65

Hülsenboden

R ¹⁾	=	1.55	-0.25
R1	=	13.79	
R3	=		
E	=		
E1	=		
e min	=		
delta	=		
f	=		
beta	=		

Pulverkammer

P1	=	11.72
P2*	=	10.86

Schulterkonus

alpha*	=	30°38'
S*	=	71.23
r1 min	=	3.81
r2	=	3.81

Hülsenhals

H1*	=	9.80
H2 ¹⁾	=	9.71

Geschoss

G1 ¹⁾	=	9.12
G2	=	
F	=	
L3+G ¹⁾	=	71.33

Drücke (Energien)**Mech. elektr. Wandler**

Pmax	=	3050 bar
PK	=	3508 bar
PE	=	3810 bar
M	=	25.00
EE	=	4145 Joule

Verschiedene Daten

Fe ¹⁾	=	0.15
delta L	=	

PATRONENLAGER MINI**Längen**

L1	=	51.40
L2	=	53.39
L3 ¹⁾	=	61.75

Stoßboden

R ¹⁾	=	1.55
R1	=	14.05
R2	=	1.47
R3	=	
r	=	

Pulverkammer

E	=	
P1 ¹⁾	=	11.76
P2*	=	10.90

Schulterkonus

alpha*	=	30°38'
S*	=	71.30
r1 max	=	3.81
r2	=	3.81

Hülsenhals

H1*	=	9.81
H2 ¹⁾	=	9.73

Geschossübergang

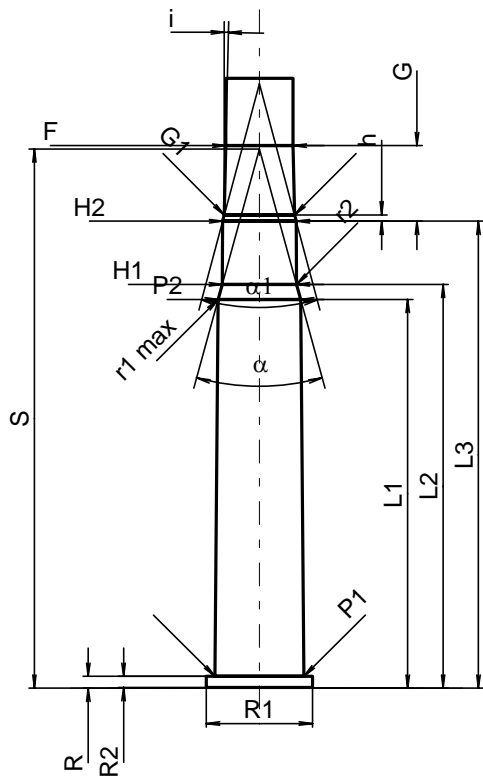
G1 ¹⁾ *	=	9.29
G ¹⁾	=	9.99
alpha1*	=	30°
h	=	0.82
s	=	
i ¹⁾ *	=	1°15'
w	=	

Lauf

F ¹⁾ *	=	8.89
Z ¹⁾	=	9.09

Züge

b	=	
N	=	
u	=	355.00
Q	=	63.77 mm ²



Maßstab 1:1

Maße in << mm >>
Maße und Toleranzen für Messläufe
siehe Anhang CR 1.

Bemerkungen: 1) Kontrolle aus Sicherheitsgründen
* Grundmaße