

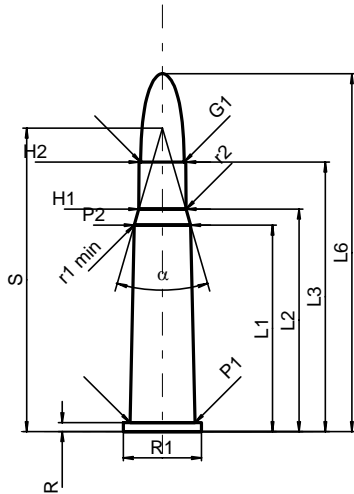
C.I.P.**33 Win.**

TAB. II

Datum 84-06-14

Revision 02-05-15

Ursprungsland: US

**PATRONE MAXI****Längen**

L1	=	40.96
L2	=	44.10
L3 ¹⁾	=	53.47
L4	=	
L5	=	
L6	=	70.99

Hülsenboden

R ¹⁾	=	1.78	-0.25
R1	=	15.49	
R3	=		
E	=		
E1	=		
e min	=		
delta	=		
f	=		
beta	=		

Pulverkammer

P1	=	12.90
P2 *	=	11.20

Schulterkonus

alpha *	=	32°30'
S *	=	60.17
r1 min	=	7.62
r2	=	5.20

Hülsenhals

H1 *	=	9.37
H2 ¹⁾	=	9.29

Geschoss

G1 ¹⁾	=	8.60
G2	=	
F	=	
L3+G ¹⁾	=	62.97

Drücke (Energien)**Mech. elektr. Wandler**

Pmax	=	3050 bar
PK	=	3508 bar
PE	=	3810 bar
M	=	25.00
EE	=	4015 Joule

Verschiedene Daten

Fe ¹⁾	=	0.15
delta L	=	

PATRONENLAGER MINI**Längen**

L1	=	41.05
L2	=	44.21
L3 ¹⁾	=	54.61

Stoßboden

R ¹⁾	=	1.78
R1	=	15.75
R2	=	
R3	=	
r	=	

Pulverkammer

E	=	
P1 ¹⁾	=	12.97
P2 *	=	11.26

Schulterkonus

alpha *	=	32°30'
S *	=	60.37
r1 max	=	7.62
r2	=	5.08

Hülsenhals

H1 *	=	9.42
H2 ¹⁾	=	9.31

Geschossübergang

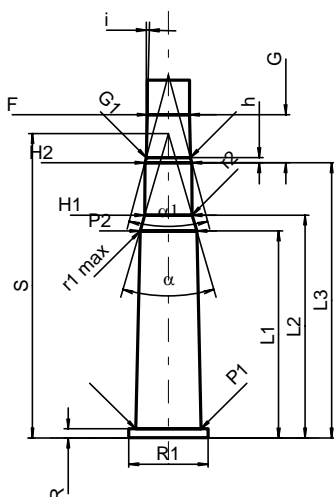
G1 ¹⁾ *	=	8.78
G ¹⁾	=	9.50
alpha 1 *	=	30°
h	=	0.99
s	=	
i ¹⁾ *	=	1°20'47"
w	=	

Lauf

F ¹⁾ *	=	8.38
Z ¹⁾	=	8.59

Züge

b	=	2.79
N	=	6
u	=	305.00
Q	=	56.94 mm ²



Maßstab 1:1.5

Maße in << mm >>
Maße und Toleranzen für Messläufe
siehe Anhang CR 1.

Bemerkungen: 1) Kontrolle aus Sicherheitsgründen
* Grundmaße