

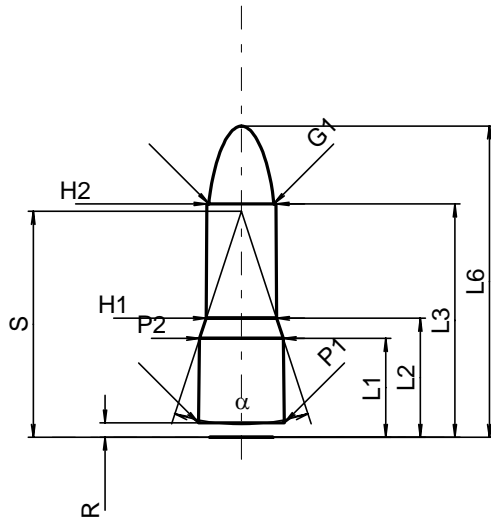
C.I.P.**297/230 Morris Ig**

TAB. II

Datum 84-06-14

Revision 00-06-07

Ursprungsland: GB

**PATRONE MAXI****Längen**

L1*	=	8.71
L2*	=	10.49
L3 ¹⁾	=	20.57
L4	=	
L5	=	
L6	=	27.43

Hülsenboden

R	=	1.27	-0.25
R1	=		
R3	=		
E	=		
E1	=		
e min	=		
delta	=		
f	=		
beta	=		

Pulverkammer

P1	=	7.59
P2*	=	7.37

Schulterkonus

alpha	=	36°23'11"
S	=	19.92
r1 min	=	
r2	=	

Hülsenhals

H1*	=	6.20
H2 ¹⁾	=	6.10

Geschoss

G1 ¹⁾	=	5.71
G2	=	
F	=	
L3+G ¹⁾	=	24.39

Drücke (Energien)

	=	
--	---	--

Verschiedene Daten

Fe	=	
delta L	=	

PATRONELAGER MINI**Längen**

L1*	=	8.74
L2*	=	10.52
L3 ¹⁾	=	20.83

Stoßboden

R ¹⁾	=	1.30
R1	=	9.14
R2	=	
R3	=	
r	=	

Pulverkammer

E	=	
P1 ¹⁾	=	7.62
P2*	=	7.39

Schulterkonus

alpha	=	36°23'11"
S	=	19.98
r1 max	=	
r2	=	

Hülsenhals

H1*	=	6.22
H2 ¹⁾	=	6.12

Geschossübergang

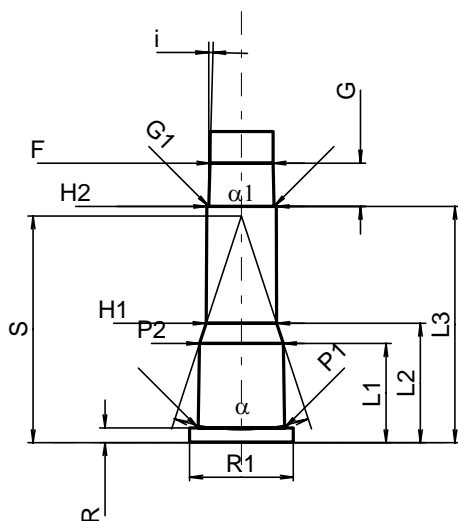
G1 ¹⁾ *	=	5.76
G ¹⁾ *	=	3.82
alpha1	=	180°
h	=	
s	=	
i ¹⁾	=	1°30'
w	=	

Lauf

F ¹⁾ *	=	5.56
Z ¹⁾	=	5.69

Züge

b	=	
N	=	
u	=	255.00
Q	=	24.28 mm ²



Maßstab 1.5:1

Maße in << mm >>
Maße und Toleranzen für Messläufe
siehe Anhang CR 1.

Bemerkungen: 1) Kontrolle aus Sicherheitsgründen
* Grundmaße