

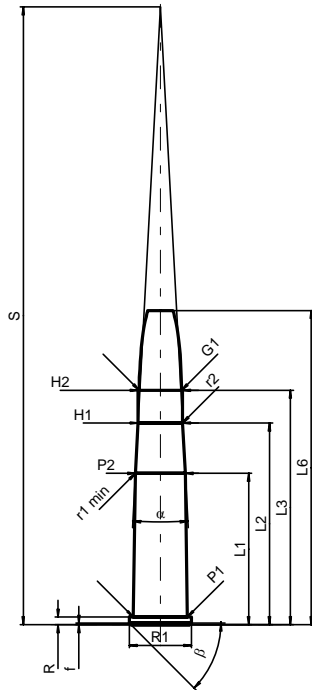
C.I.P.**8,15 x 46 R**

Ursprungsland: DE

TAB. II

Datum 84-06-14

Revision 02-05-15

**PATRONE MAXI****Längen**

L1 *	=	30.00
L2 *	=	40.00
L3 ¹⁾	=	46.50
L4	=	
L5	=	
L6	=	62.30

Hülsenboden

R ¹⁾	=	1.50	-0.25
R1	=	12.35	
R3	=		
E	=		
E1	=		
e min	=		
delta	=		
f	=	0.30	
beta	=	45°	

Pulverkammer

P1	=	10.75
P2 *	=	9.90

Schulterkonus

alpha	=	6°07'30"
S	=	122.52
r1 min	=	0.50
r2	=	0.50

Hülsenhals

H1 *	=	8.83
H2 ¹⁾	=	8.83

Geschoss

G1 ¹⁾	=	8.38
G2	=	
F	=	
L3+G ¹⁾	=	72.00

Drücke (Energien)**Mech. elektr. Wandler**

Pmax	=	1650 bar
PK	=	1898 bar
PE	=	2060 bar
M	=	25.00
EE	=	1785 Joule

Verschiedene Daten

Fe ¹⁾	=	0.15
delta L	=	

PATRONENLAGER MINI**Längen**

L1 *	=	30.00
L2 *	=	40.00
L3 ¹⁾	=	46.80

Stoßboden

R ¹⁾	=	1.50
R1	=	12.40
R2	=	
R3	=	
r	=	

Pulverkammer

E	=	
P1 ¹⁾	=	10.77
P2 *	=	9.92

Schulterkonus

alpha	=	6°07'30"
S	=	122.71
r1 max	=	0.50
r2	=	0.50

Hülsenhals

H1 *	=	8.85
H2 ¹⁾	=	8.84

Geschossübergang

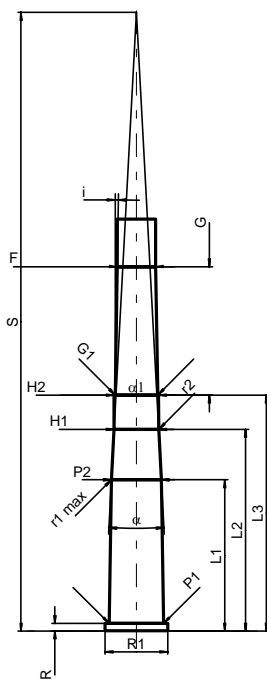
G1 ¹⁾ *	=	8.45
G ¹⁾ *	=	25.50
alpha1	=	180°
h	=	
s	=	
i ¹⁾	=	0°57'17"
w	=	

Lauf

F ¹⁾ *	=	7.60
Z ¹⁾	=	8.03

Züge

b	=	3.00
N	=	6
u	=	360.00
Q	=	49.34 mm ²



Maßstab 1:1.5

Maße in << mm >>
Maße und Toleranzen für Messläufe
siehe Anhang CR 1.

Bemerkungen: 1) Kontrolle aus Sicherheitsgründen
* Grundmaße