

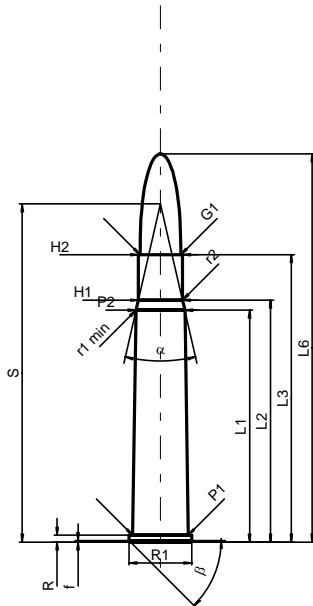
C.I.P.**8 x 57 R 360**

TAB. II

Datum 84-06-14

Revision 02-05-15

Ursprungsland: DE

**PATRONE MAXI****Längen**

L1*	=	46.00
L2*	=	48.00
L3 ¹⁾	=	57.00
L4	=	
L5	=	
L6	=	77.00

Hülsenboden

R ¹⁾	=	1.35	-0.25
R1	=	12.40	
R3	=		
E	=		
E1	=		
e min	=		
delta	=		
f	=	0.30	
beta	=	45°	

Pulverkammer

P1	=	11.00
P2*	=	9.70

Schulterkonus

alpha	=	25°54'20"
S	=	67.09
r1 min	=	0.50
r2	=	0.50

Hülsenhals

H1*	=	8.78
H2 ¹⁾	=	8.78

Geschoss

G1 ¹⁾	=	8.09
G2	=	
F	=	
L3+G ¹⁾	=	91.00

Drücke (Energien)**Mech. elektr. Wandler**

Pmax	=	2450 bar
PK	=	2818 bar
PE	=	3060 bar
M	=	25.00
EE	=	2170 Joule

Verschiedene Daten

Fe ¹⁾	=	0.15
delta L	=	

PATRONENLAGER MINI**Längen**

L1*	=	46.00
L2*	=	48.00
L3 ¹⁾	=	57.30

Stoßboden

R ¹⁾	=	1.35
R1	=	12.45
R2	=	
R3	=	
r	=	

Pulverkammer

E	=	
P1 ¹⁾	=	11.03
P2*	=	9.73

Schulterkonus

alpha	=	25°54'20"
S	=	67.15
r1 max	=	0.50
r2	=	0.50

Hülsenhals

H1*	=	8.81
H2 ¹⁾	=	8.80

Geschossübergang

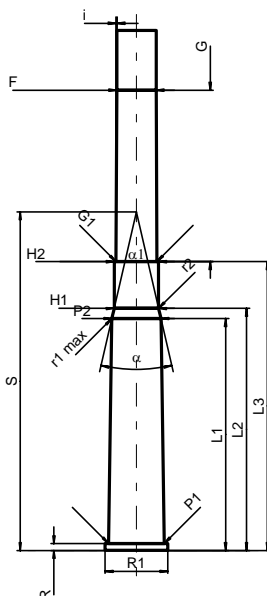
G1 ^{1)*}	=	8.14
G ^{1)*}	=	34.00
alpha1	=	180°
h	=	
s	=	
i ¹⁾	=	0°17'11"
w	=	

Lauf

F ^{1)*}	=	7.80
Z ¹⁾	=	8.07

Züge

b	=	4.40
N	=	4
u	=	240.00
Q	=	50.30 mm ²



Maßstab 1:1.5

Maße in << mm >>
Maße und Toleranzen für Messläufe
siehe Anhang CR 1.

Bemerkungen: 1) Kontrolle aus Sicherheitsgründen
* Grundmaße