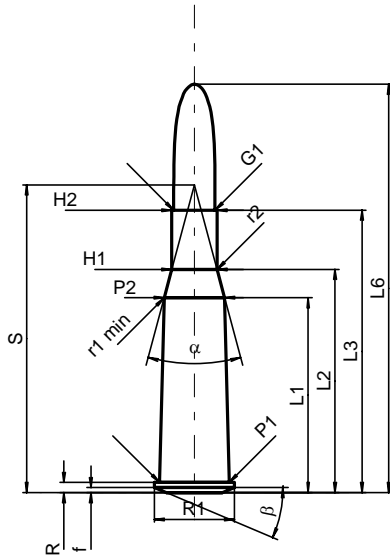


C.I.P.**8 x 56 R M89 Port.Krop.**

TAB.	II
Datum	84-06-14
Revision	06-08-02

Ursprungsland: PT

**PATRONE MAXI****Längen**

L1	=	38.65
L2	=	44.25
L3 ¹⁾	=	56.00
L4	=	
L5	=	
L6	=	81.00

Hülsenboden

R ¹⁾	=	2.00	-0.25
R1	=	15.90	
R3	=		
E	=		
E1	=		
e min	=		
delta	=		
f	=	1.00	
beta	=	23°	

Pulverkammer

P1	=	13.85
P2*	=	12.00

Schulterkonus

alpha*	=	30°
S*	=	61.04
r1 min	=	10.00
r2	=	15.00

Hülsenhals

H1*	=	9.00
H2 ¹⁾	=	9.00

Geschoss

G1 ¹⁾	=	8.20
G2	=	
F	=	
L3+G ¹⁾	=	76.00

Drücke (Energien)**Mech. elektr. Wandler**

Pmax	=	3400 bar
PK	=	3910 bar
PE	=	4250 bar
M	=	25.00
EE	=	2520 Joule

Verschiedene Daten

Fe ¹⁾	=	0.15
delta L	=	

PATRONENLAGER MINI**Längen**

L1	=	38.65
L2	=	44.21
L3 ¹⁾	=	56.40

Stoßboden

R ¹⁾	=	2.00
R1	=	16.00
R2	=	
R3	=	
r	=	

Pulverkammer

E	=	
P1 ¹⁾	=	13.88
P2*	=	12.03

Schulterkonus

alpha*	=	30°
S*	=	61.10
r1 max	=	10.00
r2	=	15.00

Hülsenhals

H1*	=	9.05
H2 ¹⁾	=	9.03

Geschossübergang

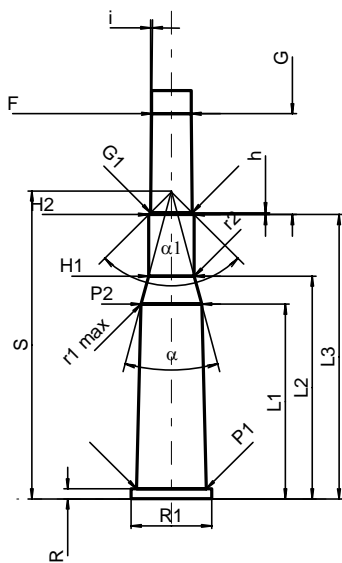
G1 ^{1)*}	=	8.25
G ¹⁾	=	20.00
alpha1*	=	90°
h	=	0.39
s	=	
i ^{1)*}	=	0°35'04"
w	=	

Lauf

F ^{1)*}	=	7.85
Z ¹⁾	=	8.20

Züge

b	=	4.40
N	=	4
u	=	250.00
Q	=	51.66 mm ²



Maßstab 1:1.5

Maße in << mm >>
Maße und Toleranzen für Messläufe
siehe Anhang CR 1.

Bemerkungen: 1) Kontrolle aus Sicherheitsgründen
* Grundmaße