

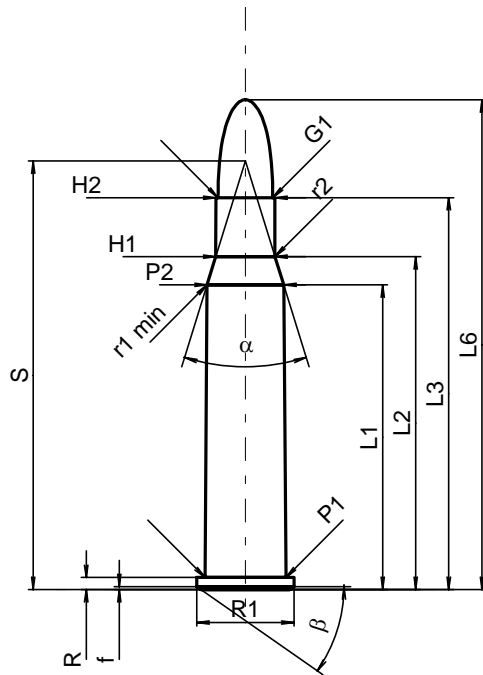
C.I.P.**7-30 Waters**

Ursprungsland: US

TAB. II

Datum 91-02-19

Revision 02-05-15

**PATRONE MAXI****Längen**

L1	=	40.29
L2	=	44.02
L3 ¹⁾	=	51.82
L4	=	
L5	=	
L6	=	64.77

Hülsenboden

R ¹⁾	=	1.60	-0.25
R1	=	12.85	
R3	=		
E	=		
E1	=		
e min	=		
delta	=		
f	=	0.38	
beta	=	35°	

Pulverkammer

P1	=	10.71
P2*	=	10.14

Schulterkonus

alpha*	=	34°24'
S*	=	56.67
r1 min	=	4.57
r2	=	6.35

Hülsenhals

H1*	=	7.83
H2 ¹⁾	=	7.78

Geschoss

G1 ¹⁾	=	7.23
G2	=	
F	=	
L3+G ¹⁾	=	58.73

Drücke (Energien)**Mech. elektr. Wandler**

Pmax	=	3400 bar
PK	=	3910 bar
PE	=	4250 bar
M	=	25.00
EE	=	2760 Joule

Verschiedene Daten

Fe ¹⁾	=	0.15
delta L	=	

PATRONENLAGER MINI**Längen**

L1	=	40.67
L2	=	44.45
L3 ¹⁾	=	52.92

Stoßboden

R ¹⁾	=	1.60
R1	=	13.11
R2	=	
R3	=	
r	=	

Pulverkammer

E	=	
P1 ¹⁾	=	10.75
P2*	=	10.18

Schulterkonus

alpha*	=	34°26'
S*	=	57.11
r1 max	=	4.32
r2	=	6.35

Hülsenhals

H1*	=	7.84
H2 ¹⁾	=	7.79

Geschossübergang

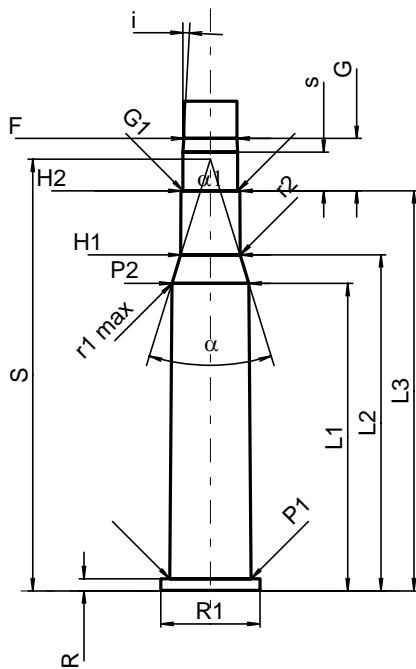
G1 ¹⁾ *	=	7.23
G ¹⁾	=	6.91
alpha1*	=	180°
h	=	
s	=	5.10
i ¹⁾ *	=	3°
w	=	

Lauf

F ¹⁾ *	=	7.04
Z ¹⁾	=	7.21

Züge

b	=	2.79
N	=	6
u	=	241.30
Q	=	40.26 mm ²



Maßstab 1:1

Maße in << mm >>
Maße und Toleranzen für Messläufe
siehe Anhang CR 1.

Bemerkungen: 1) Kontrolle aus Sicherheitsgründen
* Grundmaße