

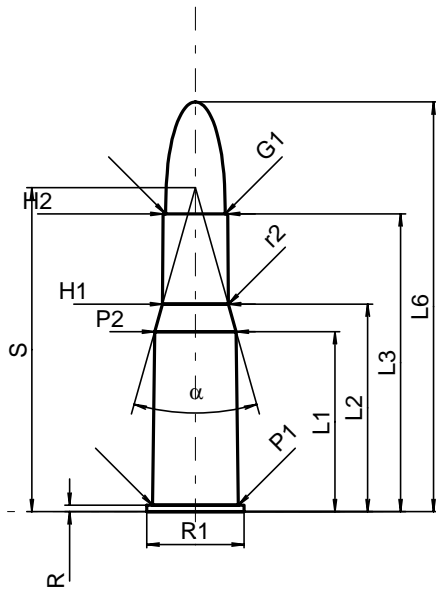
**C.I.P.****577/450 Sld. Mart. H.**

TAB. II

Datum 84-06-14

Revision 02-05-15

Ursprungsland: GB

**PATRONE MAXI****Längen**

|                  |   |       |
|------------------|---|-------|
| L1*              | = | 35.71 |
| L2*              | = | 41.17 |
| L3 <sup>1)</sup> | = | 59.08 |
| L4               | = |       |
| L5               | = |       |
| L6               | = | 81.28 |

**Hülsenboden**

|                 |   |       |       |
|-----------------|---|-------|-------|
| R <sup>1)</sup> | = | 1.27  | -0.25 |
| R1              | = | 19.30 |       |
| R3              | = |       |       |
| E               | = |       |       |
| E1              | = |       |       |
| e min           | = |       |       |
| delta           | = |       |       |
| f               | = |       |       |
| beta            | = |       |       |

**Pulverkammer**

|     |   |       |
|-----|---|-------|
| P1  | = | 17.07 |
| P2* | = | 16.15 |

**Schulterkonus**

|        |   |           |
|--------|---|-----------|
| alpha  | = | 31°35'58" |
| S      | = | 64.25     |
| r1 min | = |           |
| r2     | = | 9.14      |

**Hülsenhals**

|                  |   |       |
|------------------|---|-------|
| H1*              | = | 13.06 |
| H2 <sup>1)</sup> | = | 12.83 |

**Geschoss**

|                    |   |       |
|--------------------|---|-------|
| G1 <sup>1)</sup>   | = | 11.81 |
| G2                 | = |       |
| F                  | = |       |
| L3+G <sup>1)</sup> | = | 74.74 |

**Drücke (Energien)****Mech. elektr. Wandler**

|      |   |            |
|------|---|------------|
| Pmax | = | 1750 bar   |
| PK   | = | 2013 bar   |
| PE   | = | 2190 bar   |
| M    | = | 25.00      |
| EE   | = | 2532 Joule |

**Verschiedene Daten**

|                  |   |      |
|------------------|---|------|
| Fe <sup>1)</sup> | = | 0.15 |
| delta L          | = |      |

**PATRONELAGER MINI****Längen**

|                  |   |       |
|------------------|---|-------|
| L1*              | = | 35.74 |
| L2*              | = | 41.20 |
| L3 <sup>1)</sup> | = | 59.33 |

**Stoßboden**

|                 |   |       |
|-----------------|---|-------|
| R <sup>1)</sup> | = | 1.30  |
| R1              | = | 19.56 |
| R2              | = |       |
| R3              | = |       |
| r               | = |       |

**Pulverkammer**

|                  |   |       |
|------------------|---|-------|
| E                | = |       |
| P1 <sup>1)</sup> | = | 17.09 |
| P2*              | = | 16.18 |

**Schulterkonus**

|        |   |           |
|--------|---|-----------|
| alpha  | = | 31°41'48" |
| S      | = | 64.24     |
| r1 max | = |           |
| r2     | = |           |

**Hülsenhals**

|                  |   |       |
|------------------|---|-------|
| H1*              | = | 13.08 |
| H2 <sup>1)</sup> | = | 12.85 |

**Geschossübergang**

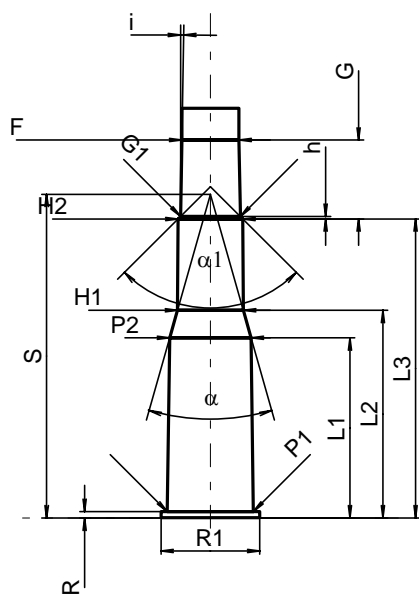
|                   |   |          |
|-------------------|---|----------|
| G1 <sup>1)*</sup> | = | 11.88    |
| G <sup>1)*</sup>  | = | 15.66    |
| alpha1            | = | 90°      |
| h*                | = | 0.49     |
| s                 | = |          |
| i <sup>1)</sup>   | = | 1°00'03" |
| w                 | = |          |

**Lauf**

|                  |   |       |
|------------------|---|-------|
| F <sup>1)*</sup> | = | 11.35 |
| Z <sup>1)</sup>  | = | 11.80 |

**Züge**

|   |   |                        |
|---|---|------------------------|
| b | = |                        |
| N | = |                        |
| u | = | 508.00                 |
| Q | = | 101.18 mm <sup>2</sup> |



Maßstab 1:1.5

Maße in << mm >>  
Maße und Toleranzen für Messläufe  
siehe Anhang CR 1.

Bemerkungen: 1) Kontrolle aus Sicherheitsgründen  
\* Grundmaße