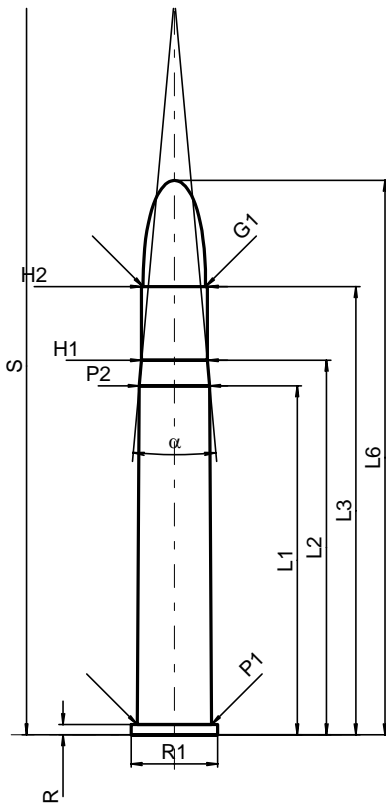


C.I.P.**475 N°2 N.E. 3"1/2 Jeffery**

TAB.	II
Datum	98-01-27
Revision	02-05-15

Ursprungsland: GB

**PATRONE MAXI****Längen**

L1*	=	69.21
L2*	=	74.29
L3 ¹⁾	=	88.90
L4	=	
L5	=	
L6	=	109.98

Hülsenboden

R ¹⁾	=	2.03	-0.25
R1	=	17.14	
R3	=		
E	=		
E1	=		
e min	=		
delta	=		
f	=		
beta	=		

Pulverkammer

P1	=	14.73
P2*	=	13.97

Schulterkonus

alpha	=	10°20'53"
S	=	146.35
r1 min	=	
r2	=	

Hülsenhals

H1*	=	13.05
H2 ¹⁾	=	13.05

Geschoss

G1 ¹⁾	=	12.39
G2	=	
F	=	
L3+G ¹⁾	=	96.54

Drücke (Energien)**Mech. elektr. Wandler**

Pmax	=	2750 bar
PK	=	3163 bar
PE	=	3440 bar
M	=	25.00
EE	=	6957 Joule

Verschiedene Daten

Fe ¹⁾	=	0.15
delta L	=	

PATRONELAGER MINI**Längen**

L1*	=	69.24
L2*	=	74.32
L3 ¹⁾	=	89.15

Stoßboden

R ¹⁾	=	2.06
R1	=	17.40
R2	=	
R3	=	
r	=	

Pulverkammer

E	=	
P1 ¹⁾	=	14.76
P2*	=	14.00

Schulterkonus

alpha	=	10°27'36"
S	=	145.71
r1 max	=	
r2	=	

Hülsenhals

H1*	=	13.07
H2 ¹⁾	=	13.07

Geschossübergang

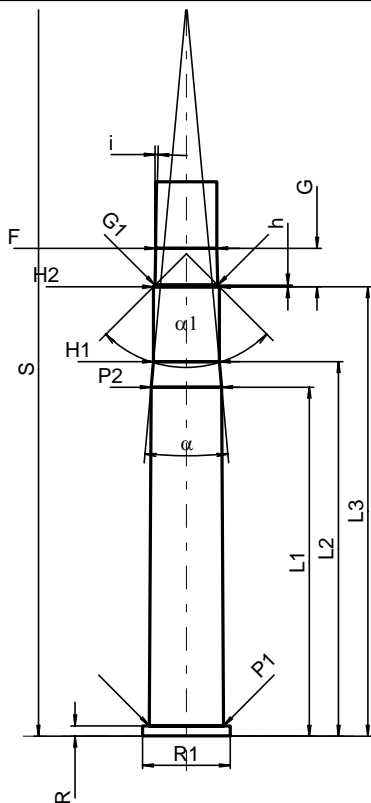
G1 ¹⁾ *	=	12.42
G ¹⁾ *	=	7.64
alpha1	=	90°
h*	=	0.33
s	=	
i ¹⁾	=	1°12'53"
w	=	

Lauf

F ¹⁾ *	=	12.11
Z ¹⁾	=	12.42

Züge

b	=	2.67
N	=	7
u	=	457.00
Q	=	118.10 mm ²



Maßstab 1:1.5

Maße in << mm >>
Maße und Toleranzen für Messläufe
siehe Anhang CR 1.

Bemerkungen: 1) Kontrolle aus Sicherheitsgründen
* Grundmaße