

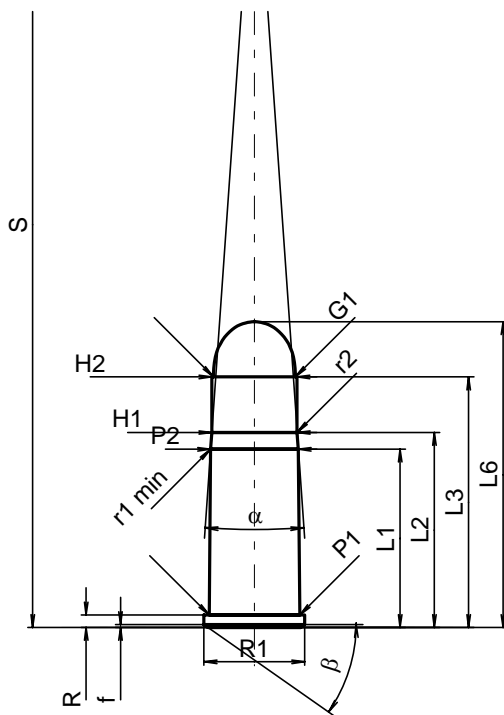
C.I.P.**44-40 Win.**

TAB. II

Datum 84-06-14

Revision 02-05-15

Ursprungsland: US

**PATRONE MAXI****Längen**

| | | |
|------------------|---|-------|
| L1 | = | 23.58 |
| L2 | = | 25.79 |
| L3 ¹⁾ | = | 33.15 |
| L4 | = | |
| L5 | = | |
| L6 | = | 40.44 |

Hülsenboden

| | | | |
|-----------------|---|-------|-------|
| R ¹⁾ | = | 1.65 | -0.25 |
| R1 | = | 13.34 | |
| R3 | = | | |
| E | = | | |
| E1 | = | | |
| e min | = | | |
| delta | = | | |
| f | = | 0.38 | |
| beta | = | 35° | |

Pulverkammer

| | | |
|-----|---|-------|
| P1 | = | 11.97 |
| P2* | = | 11.60 |

Schulterkonus

| | | |
|--------|---|--------|
| alpha* | = | 8° |
| S* | = | 106.52 |
| r1 min | = | 5.08 |
| r2 | = | 5.08 |

Hülsenhals

| | | |
|------------------|---|-------|
| H1* | = | 11.29 |
| H2 ¹⁾ | = | 11.25 |

Geschoss

| | | |
|--------------------|---|-------|
| G1 ¹⁾ | = | 10.85 |
| G2 | = | |
| F | = | |
| L3+G ¹⁾ | = | 37.31 |

Drücke (Energien)**Mech. elektr. Wandler**

| | | |
|------|---|-----------|
| Pmax | = | 1100 bar |
| PK | = | 1265 bar |
| PE | = | 1375 bar |
| M | = | 17.50 |
| EE | = | 890 Joule |

Verschiedene Daten

| | | |
|------------------|---|------|
| Fe ¹⁾ | = | 0.15 |
| delta L | = | |

PATRONENLAGER MINI**Längen**

| | | |
|------------------|---|-------|
| L1 | = | 23.32 |
| L2 | = | 25.48 |
| L3 ¹⁾ | = | 33.35 |

Stoßboden

| | | |
|-----------------|---|-------|
| R ¹⁾ | = | 1.65 |
| R1 | = | 13.59 |
| R2 | = | |
| R3 | = | |
| r | = | |

Pulverkammer

| | | |
|------------------|---|-------|
| E | = | |
| P1 ¹⁾ | = | 11.98 |
| P2* | = | 11.65 |

Schulterkonus

| | | |
|--------|---|-------|
| alpha* | = | 9° |
| S* | = | 97.33 |
| r1 max | = | 5.08 |
| r2 | = | 5.08 |

Hülsenhals

| | | |
|------------------|---|-------|
| H1* | = | 11.31 |
| H2 ¹⁾ | = | 11.27 |

Geschossübergang

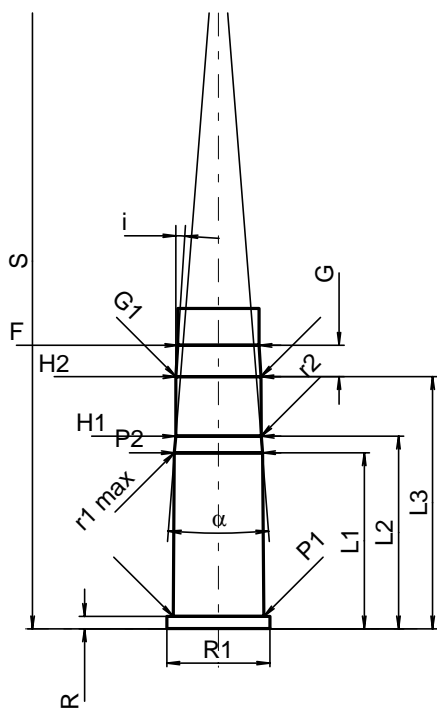
| | | |
|--------------------|---|-------|
| G1 ¹⁾ * | = | 11.27 |
| G ¹⁾ | = | 4.16 |
| alpha1* | = | 180° |
| h | = | |
| s | = | |
| i ¹⁾ * | = | 3°43' |
| w | = | |

Lauf

| | | |
|-------------------|---|-------|
| F ¹⁾ * | = | 10.73 |
| Z ¹⁾ | = | 10.88 |

Züge

| | | |
|---|---|-----------------------|
| b | = | 3.37 |
| N | = | 6 |
| u | = | 914.00 |
| Q | = | 91.97 mm ² |



Maßstab 1:1

Maße in << mm >>
Maße und Toleranzen für Messläufe
siehe Anhang CR 1.

Bemerkungen: 1) Kontrolle aus Sicherheitsgründen
* Grundmaße