

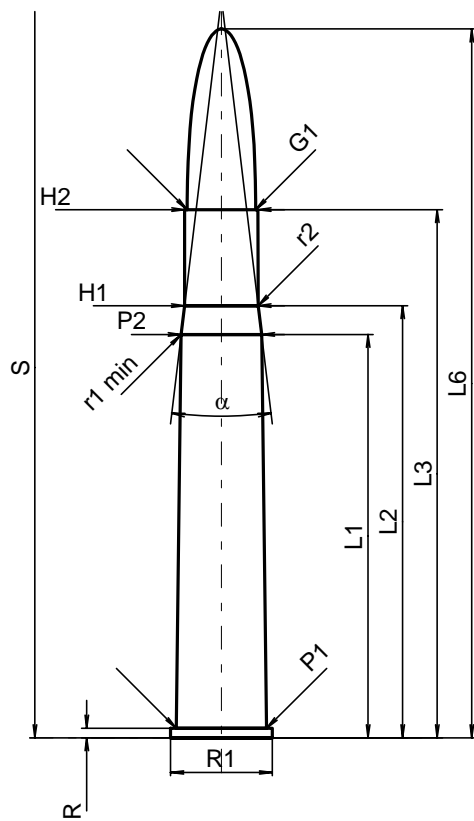
C.I.P.**400/350 N.E.**

TAB. II

Datum 84-06-14

Revision 02-05-15

Ursprungsland: GB

**PATRONE MAXI****Längen**

L1*	=	53.34
L2*	=	57.15
L3 ¹⁾	=	69.85
L4	=	
L5	=	
L6	=	93.73

Hülsenboden

R ¹⁾	=	1.27	-0.25
R1	=	13.46	
R3	=		
E	=		
E1	=		
e min	=		
delta	=		
f	=		
beta	=		

Pulverkammer

P1	=	11.96
P2*	=	10.64

Schulterkonus

alpha	=	13°37'13"
S	=	97.89
r1 min	=	8.13
r2	=	8.13

Hülsenhals

H1*	=	9.73
H2 ¹⁾	=	9.70

Geschoss

G1 ¹⁾	=	9.04
G2	=	
F	=	
L3+G ¹⁾	=	80.48

Drücke (Energien)**Mech. elektr. Wandler**

Pmax	=	2800 bar
PK	=	3220 bar
PE	=	3500 bar
M	=	25.00
EE	=	4292 Joule

Verschiedene Daten

Fe ¹⁾	=	0.15
delta L	=	

PATRONENLAGER MINI**Längen**

L1*	=	53.37
L2*	=	57.18
L3 ¹⁾	=	70.10

Stoßboden

R ¹⁾	=	1.30
R1	=	13.72
R2	=	
R3	=	
r	=	

Pulverkammer

E	=	
P1 ¹⁾	=	11.99
P2*	=	10.67

Schulterkonus

alpha	=	13°46'07"
S	=	97.56
r1 max	=	
r2	=	

Hülsenhals

H1*	=	9.75
H2 ¹⁾	=	9.73

Geschossübergang

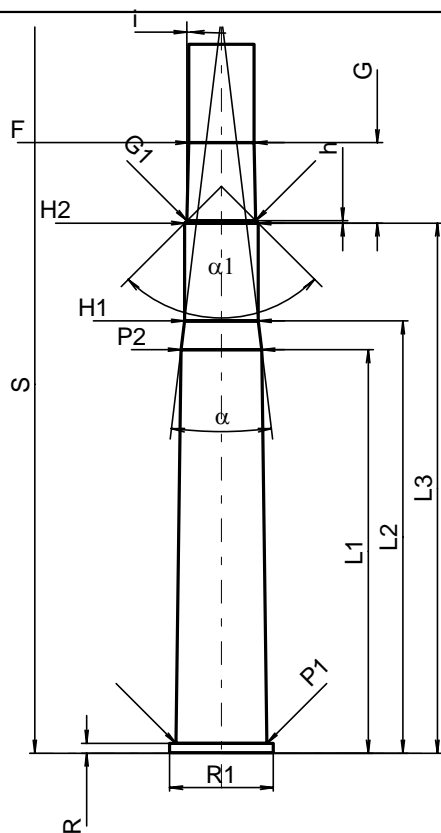
G1 ^{1)*}	=	9.10
G ^{1)*}	=	10.63
alpha1	=	90°
h*	=	0.32
s	=	
i ¹⁾	=	1°15'01"
w	=	

Lauf

F ^{1)*}	=	8.65
Z ¹⁾	=	9.00

Züge

b	=	
N	=	
u	=	406.00
Q	=	58.77 mm ²



Maßstab 1:1

Maße in << mm >>
Maße und Toleranzen für Messläufe
siehe Anhang CR 1.

Bemerkungen: 1) Kontrolle aus Sicherheitsgründen
* Grundmaße