

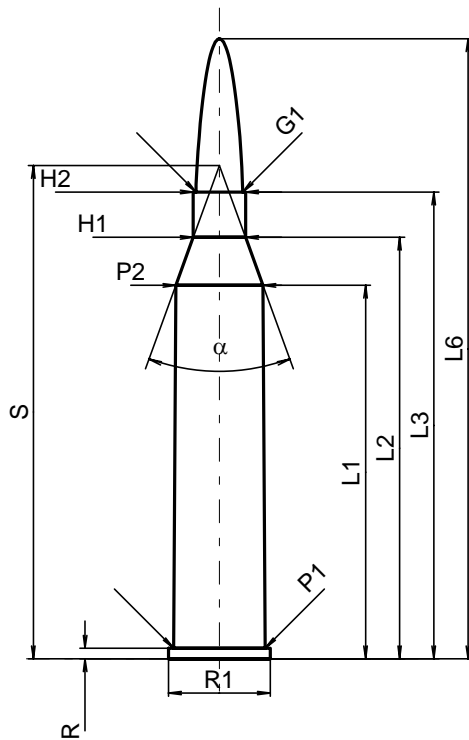
C.I.P.**6 x 62 R Freres**

TAB. II

Datum 92-02-27

Revision 02-05-15

Ursprungsland: DE

**PATRONE MAXI****Längen**

L1*	=	49.40
L2*	=	55.75
L3 ¹⁾	=	61.75
L4	=	
L5	=	
L6	=	82.00

Hülsenboden

R ¹⁾	=	1.40	-0.25
R1	=	13.50	
R3	=		
E	=		
E1	=		
e min	=		
delta	=		
f	=		
beta	=		

Pulverkammer

P1	=	12.12
P2*	=	11.53

Schulterkonus

alpha	=	39°58'50"
S	=	65.25
r1 min	=	
r2	=	

Hülsenhals

H1*	=	6.91
H2 ¹⁾	=	6.91

Geschoss

G1 ¹⁾	=	6.18
G2	=	
F	=	
L3+G ¹⁾	=	68.42

Drücke (Energien)**Mech. elektr. Wandler**

Pmax	=	4300 bar
PK	=	4945 bar
PE	=	5375 bar
M	=	25.00
EE	=	3435 Joule

Verschiedene Daten

Fe ¹⁾	=	0.10
delta L	=	

PATRONELAGER MINI**Längen**

L1*	=	49.40
L2*	=	55.72
L3 ¹⁾	=	62.00

Stoßboden

R ¹⁾	=	1.40
R1	=	13.55
R2	=	
R3	=	
r	=	

Pulverkammer

E	=	
P1 ¹⁾	=	12.14
P2*	=	11.55

Schulterkonus

alpha	=	39°59'43"
S	=	65.27
r1 max	=	
r2	=	

Hülsenhals

H1*	=	6.95
H2 ¹⁾	=	6.93

Geschossübergang

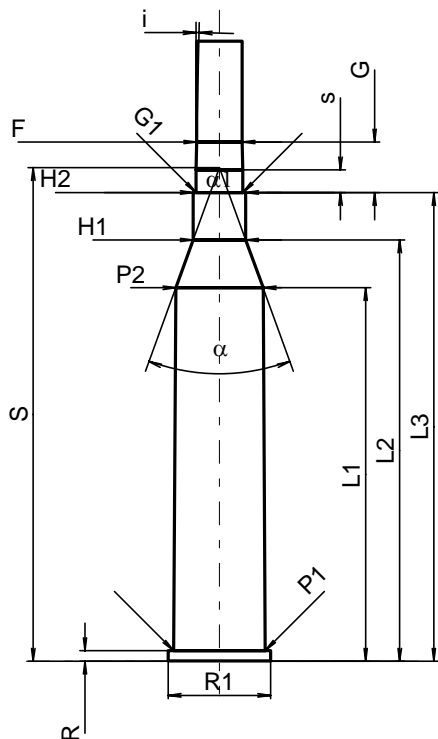
G1 ¹⁾ *	=	6.19
G ¹⁾ *	=	6.67
alpha1	=	180°
h	=	
s*	=	2.97
i ¹⁾	=	1°19'
w	=	

Lauf

F ¹⁾ *	=	6.02
Z ¹⁾	=	6.17

Züge

b	=	1.73
N	=	6
u	=	260.00
Q	=	29.25 mm ²



Maßstab 1:1

Maße in << mm >>
Maße und Toleranzen für Messläufe
siehe Anhang CR 1.

Bemerkungen: 1) Kontrolle aus Sicherheitsgründen
* Grundmaße