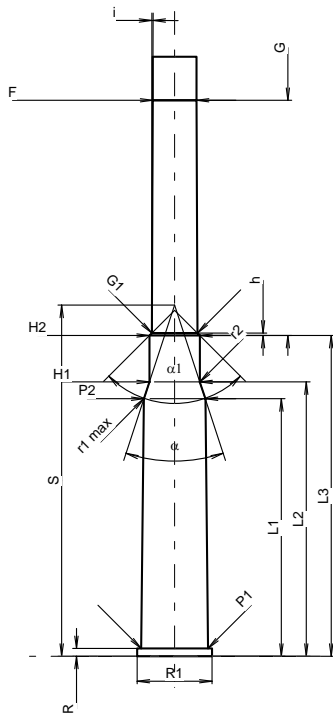
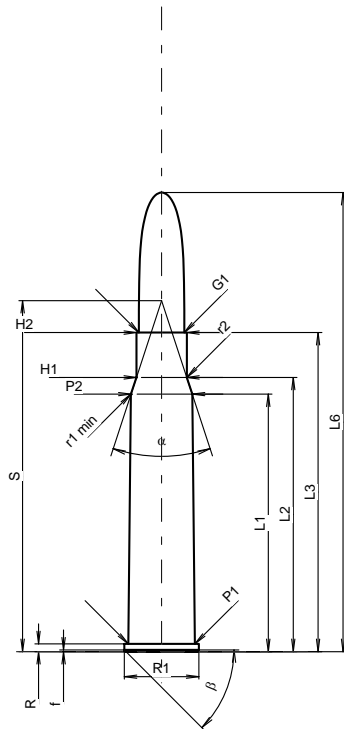


C.I.P.**8 x 57 IR****TAB.****II****Date****84-06-14****Revision****16-05-18**

Country of Origin: DE

Alternative Names: 8 x 57 JR



Scale 1:1.35

Dimensions in << mm >>
 Dimensions and Tolerances for Proof Barrels
 see Appendix CR 1.

CARTRIDGE MAXI**Lengths**

L1 *	=	46.00
L2 *	=	48.99
L3 ¹⁾	=	57.00
L4	=	
L5	=	
L6	=	82.00

Case Head

R ¹⁾	=	1.40	-0.25
R1	=	13.32	
R3	=		
E	=		
E1	=		
e min	=		
delta	=		
f	=	0.30	
beta	=	45°	

Powder Chamber

P1	=	11.92
P2 *	=	10.95

Junction Cone

alpha	=	36°17'39"
S	=	62.70
r1 min	=	0.50
r2	=	0.50

Collar

H1 *	=	8.99
H2 ¹⁾	=	8.99

Projectile

G1 ¹⁾	=	8.09
G2	=	
F	=	
L3+G ¹⁾	=	99.00

Pressures (Energies)**Method Transducer**

Pmax	=	3200 bar
PK	=	3680 bar
PE	=	4000 bar
M	=	25.00
EE	=	3315 Joule

Miscellaneous Dimensions

Fe ¹⁾⁴⁾	=	0.15
delta L	=	

CHAMBER MINI**Lengths**

L1 *	=	46.00
L2 *	=	49.00
L3 ¹⁾	=	57.30

Breech

R ¹⁾	=	1.40
R1	=	13.37
R2	=	
R3	=	
r	=	

Powder Chamber

E	=	
P1 ¹⁾	=	11.95
P2 *	=	10.98

Junction Cone

alpha	=	36°21'12"
S	=	62.72
r1 max	=	0.50
r2	=	0.50

Collar

H1 *	=	9.01
H2 ¹⁾	=	9.00

Commencement of Rifling

G1 ¹⁾ *	=	8.15
G ¹⁾ *	=	42.00
alpha1	=	90°
h *	=	0.43
s	=	
i ¹⁾	=	0°14'28"
w	=	

Barrel

F ¹⁾ *	=	7.80
Z ¹⁾	=	8.07

Grooves

b	=	4.40
N	=	4
u	=	240.00
Q	=	50.30 mm ²

Notes: 1) Check for safety reasons
 4) Headspace on Rim
 * Basic dimensions