

C.I.P.**50-70 Govt.**

TAB.

II

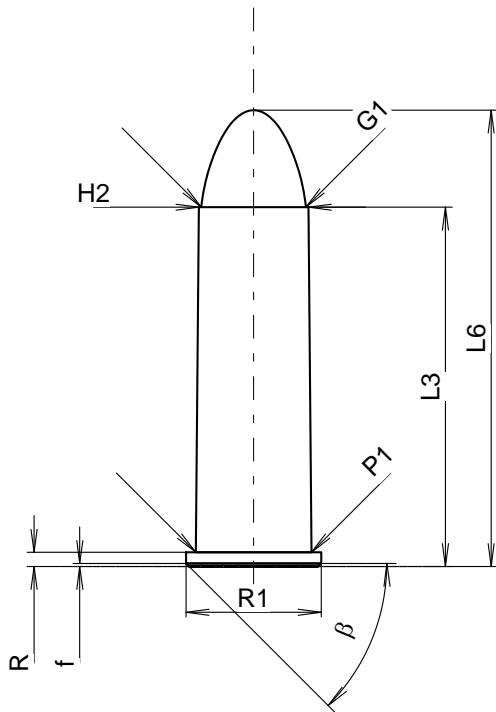
Date

17-05-17

Country of Origin: US

Revision

Alternative Names: 50-70 Musket

**CARTRIDGE MAXI****Lengths**

L1	=	
L2	=	
L3 ¹⁾	=	45.01
L4	=	
L5	=	
L6	=	57.15

Case Head

R ¹⁾	=	1.78	-0.25
R1	=	16.92	
R3	=		
E	=		
E1	=		
e min	=		
delta	=		
f	=	0.38	
beta	=	45°	

Powder Chamber

P1	=	14.48
P2	=	

Junction Cone

alpha	=	
S	=	
r1 min	=	
r2	=	

Collar

H1	=	
H2 ¹⁾	=	13.73

Projectile

G1 ¹⁾	=	13.08
G2	=	
F	=	
L3+G ¹⁾	=	46.91

Pressures (Energies)**Method Transducer**

Pmax	=	2100 bar
PK	=	2415 bar
PE	=	2625 bar
M	=	25.00
EE	=	5000 Joule

Miscellaneous Dimensions

Fe ¹⁾⁴⁾	=	0.15
delta L	=	

CHAMBER MINI**Lengths**

L1	=	
L2	=	
L3 ¹⁾	=	45.13

Breech

R ¹⁾	=	1.78
R1	=	17.18
R2	=	
R3	=	
r	=	

Powder Chamber

E	=	
P1 ¹⁾	=	14.55
P2	=	

Junction Cone

alpha	=	
S	=	
r1 max	=	
r2	=	

Collar

H1	=	
H2 ¹⁾	=	13.76

Commencement of Rifling

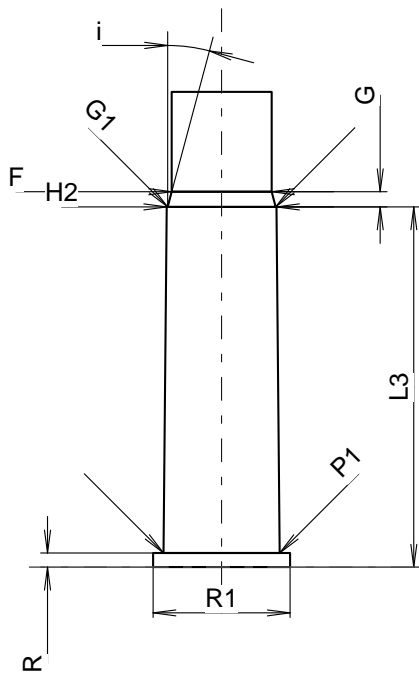
G1 ¹⁾ *	=	13.54
G ¹⁾	=	1.90
alpha1	=	
h	=	
s	=	
i ¹⁾ *	=	15°01'31"
w	=	

Barrel

F ¹⁾ *	=	12.52
Z ¹⁾	=	13.03

Grooves

b	=	3.75
N	=	6
u	=	508.00
Q	=	128.93 mm ²



Scale 1.06:1

Dimensions in << mm >>
Dimensions and Tolerances for Proof Barrels
see Appendix CR 1.

Notes: 1) Check for safety reasons
4) Headspace on Rim
* Basic dimensions