

C.I.P.**375 Fl. Mag. N.E.**

TAB.

II

Date

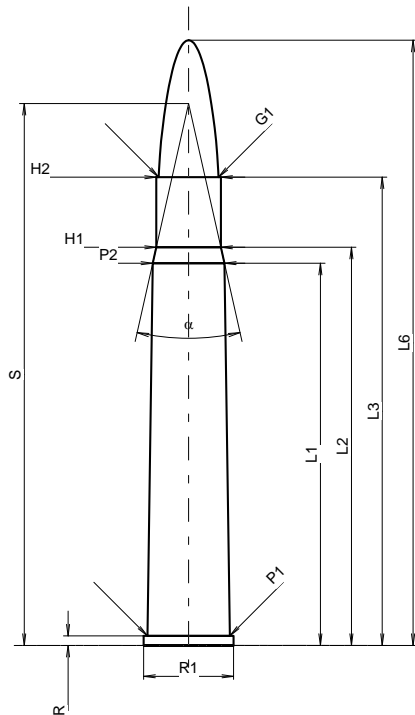
84-06-14

Revision

13-05-22

Country of Origin: GB

Alternative Names: 375 H&H Fl. Mag. N.E.

**CARTRIDGE MAXI****Lengths**

L1 *	=	60.96
L2 *	=	63.50
L3 ¹⁾	=	74.68
L4	=	
L5	=	
L6	=	96.52

Case Head

R ¹⁾	=	1.52	-0.25
R1	=	14.35	
R3	=		
E	=		
E1	=		
e min	=		
δ	=		
f	=		
β	=		

Powder Chamber

P1	=	13.13
P2 *	=	11.43

Junction Cone

α	=	25°17'47"
S	=	86.43
r1 min	=	
r2	=	

Collar

H1 *	=	10.29
H2 ¹⁾	=	10.29

Projectile

G1 ¹⁾	=	9.52
G2	=	
F	=	
L3+G ¹⁾	=	83.15

Pressures (Energies)**Method Transducer**

Pmax	=	3250 bar
PK	=	3738 bar
PE	=	4060 bar
M	=	25.00
EE	=	5925 Joule

Miscellaneous Dimensions

Fe ¹⁾⁴⁾	=	0.15
delta L	=	

CHAMBER MINI**Lengths**

L1 *	=	60.99
L2 *	=	63.53
L3 ¹⁾	=	74.93

Breech

R ¹⁾	=	1.55
R1	=	14.78
R2	=	
R3	=	
r	=	

Powder Chamber

E	=	
P1 ¹⁾	=	13.16
P2 *	=	11.46

Junction Cone

α	=	25°30'39"
S	=	86.30
r1 max	=	
r2	=	

Collar

H1 *	=	10.31
H2 ¹⁾	=	10.31

Commencement of Rifling

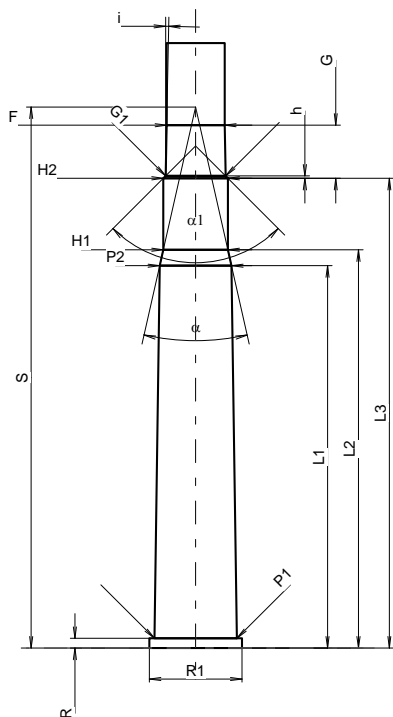
G1 ¹⁾ *	=	9.58
G ¹⁾ *	=	8.47
α1	=	90°
h *	=	0.37
s	=	
i ¹⁾	=	1°10'
w	=	

Barrel

F ¹⁾ *	=	9.25
Z ¹⁾	=	9.50

Grooves

b	=	2.92
N	=	6
u	=	406.00
Q	=	69.43 mm ²



Scale 1:1.21

Dimensions in << mm >>
Dimensions and Tolerances for Proof Barrels
see Appendix CR 1.

Notes: 1) Check for safety reasons
4) Headspace on Rim
* Basic dimensions