

C.I.P.**356 Win.**

Pays d'origine: US

TAB.

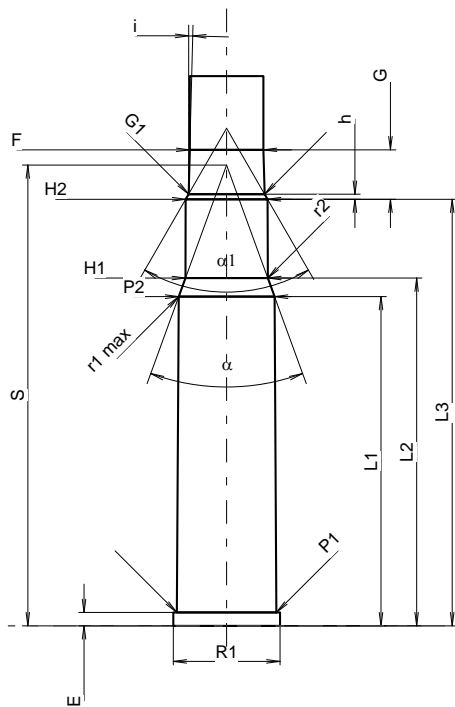
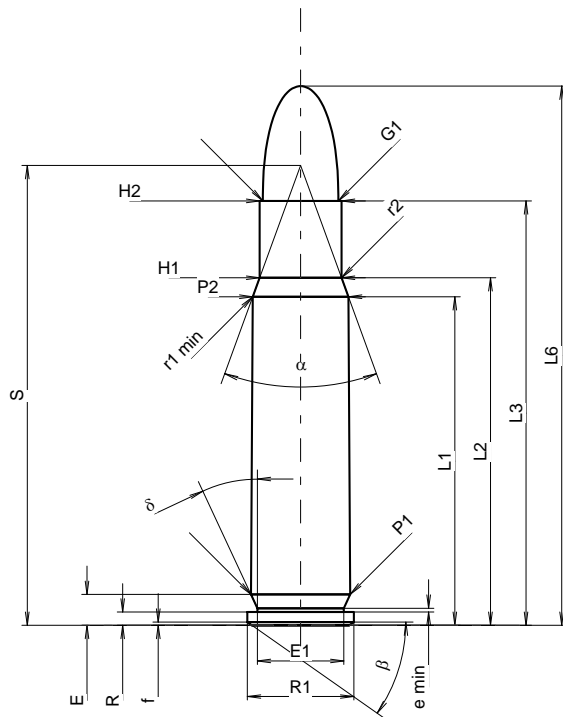
II

Date

84-06-14

Révision

11-05-25



Échelle 1.1:1

Dimensions en << mm >>
Dimensions et tolérances pour les canons
d'épreuve: Voyez Annexe CR 1.

CARTOUCHE MAXI**Longueurs**

L1	=	39.62
L2	=	41.91
L3 ¹⁾	=	51.18
L4	=	
L5	=	
L6	=	65.02

Culot

R ¹⁾	=	1.60	-0.25
R1	=	12.85	
R3	=		
E	=	3.72	
E1	=	10.41	
e min	=	0.46	
delta	=	25°	
f	=	0.38	
beta	=	35°	

Chambre à poudre

P1	=	11.96
P2 *	=	11.53

Cône de raccordement

alpha *	=	40°
S *	=	55.45
r1 min	=	0.76
r2	=	2.54

Collet

H1 *	=	9.86
H2 ¹⁾	=	9.86

Projectile

G1 ¹⁾	=	9.11
G2	=	
F	=	
L3+G ¹⁾	=	57.14

Pressions (Énergies)**Méthode transducteur**

Pmax	=	4150 bar
PK	=	4773 bar
PE	=	5190 bar
M	=	25.00
EE	=	3705 Joule

Autres indications

Fe ¹⁾³⁾	=	0.10
delta L	=	

Notes: 1) A' contrôler pour la sécurité
3) Feuillure sur la cone de raccordement
* Dimensions de base

CHAMBRE MINI**Longueurs**

L1	=	39.69
L2	=	41.93
L3 ¹⁾	=	51.44

Cuvette

R ¹⁾	=	1.60
R1	=	12.88
R2	=	
R3	=	
r	=	

Chambre à poudre

E	=	1.60
P1 ¹⁾	=	12.01
P2 *	=	11.56

Cône de raccordement

alpha *	=	40°
S *	=	55.57
r1 max	=	0.76
r2	=	2.79

Collet

H1 *	=	9.93
H2 ¹⁾	=	9.88

Prise de rayures

G1 ¹⁾ *	=	9.17
G ¹⁾	=	5.96
alpha1 *	=	60°
h	=	0.61
s	=	
i ¹⁾ *	=	1°30'
w	=	

Canon

F ¹⁾ *	=	8.89
Z ¹⁾	=	9.09

Rayures

b	=	2.79
N	=	6
u	=	305.00
Q	=	63.77 mm ²