

C.I.P.

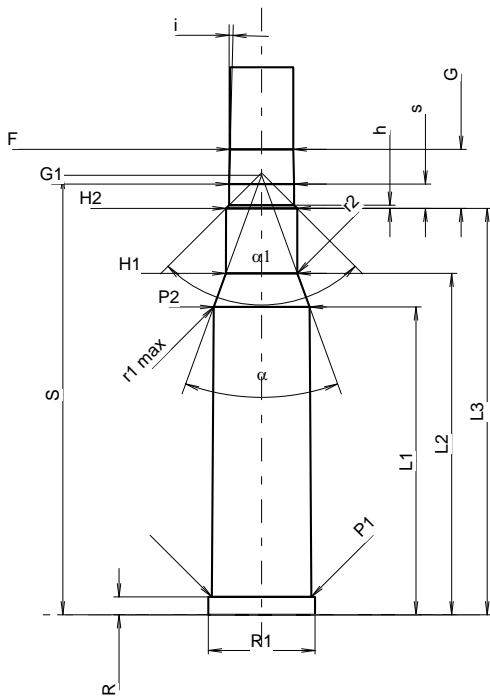
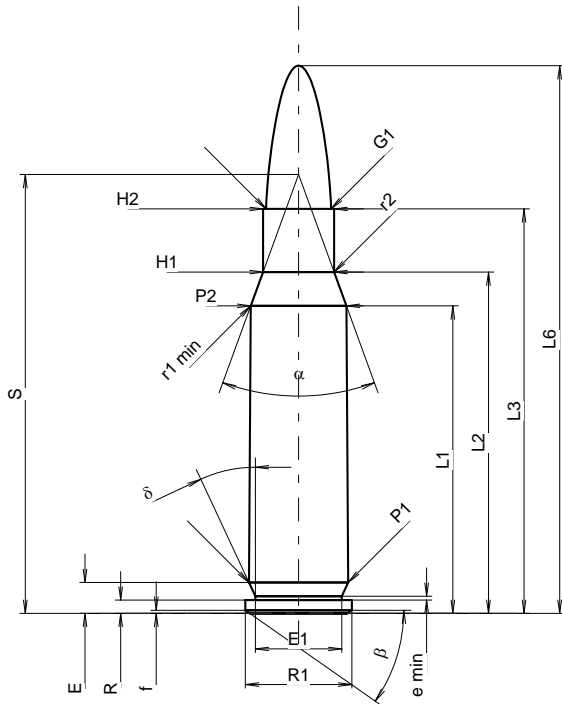
308 Marlin Express

Country of Origin: US

TAB. II

Date 09-05-05

Revision



Scale 1.1:1

Dimensions in << mm >>
Dimensions and Tolerances for Proof Barrels
see Appendix CR 1.

CARTRIDGE MAXI

Lengths

L1 ¹⁾	=	37.08	-0.20
L2 ¹⁾	=	41.16	-0.20
L3 ¹⁾	=	48.77	
L4	=		
L5	=		
L6	=	66.04	

Case Head

R	=	1.60	
R1	=	12.85	
R3	=		
E	=	3.72	
E1	=	10.41	
e min	=	0.46	
delta	=	25°	
f	=	0.38	
beta	=	35°	

Powder Chamber

P1	=	11.96	
P2 ¹⁾ *	=	11.53	-0.20

Junction Cone

alpha *	=	40°	
S *	=	52.92	
r1 min	=	0.76	
r2	=	2.54	

Collar

H1 *	=	8.56	
H2 ¹⁾	=	8.56	

Projectile

G1 ¹⁾	=	7.84	
G2	=		
F	=		
L3+G ¹⁾	=	55.89	

Pressures (Energies)

Method Transducer

Pmax	=	3300 bar	
PK	=	3795 bar	
PE	=	4125 bar	
M	=	25.00	
EE	=	3400 Joule	

Miscellaneous Dimensions

Fe ¹⁾³⁾	=	0.15	
delta L	=		

CHAMBER MINI

Lengths

L1	=	37.13	
L2	=	41.18	
L3 ¹⁾	=	49.02	

Breech

R	=	2.16	
R1	=	12.88	
R2	=		
R3	=		
r	=		

Powder Chamber

E	=		
P1 ¹⁾	=	12.01	
P2 *	=	11.56	

Junction Cone

alpha ¹⁾ *	=	40°	
S *	=	53.00	
r1 max	=	0.76	
r2	=	3.18	

Collar

H1 *	=	8.61	
H2 ¹⁾	=	8.59	

Commencement of Rifling

G1 ¹⁾ *	=	7.84	
G ¹⁾	=	7.12	
alpha1	=	90°	
h	=	0.38	
s *	=	2.92	
i ¹⁾ *	=	1°30'	
w	=		

Barrel

F ¹⁾ *	=	7.62	
Z ¹⁾	=	7.82	

Grooves

b	=	2.39	
N	=	6	
u	=	305.00	
Q	=	47.06	mm ²

Notes: 1) Check for safety reasons
3) Headspace on Shoulder
* Basic dimensions