

C.I.P.

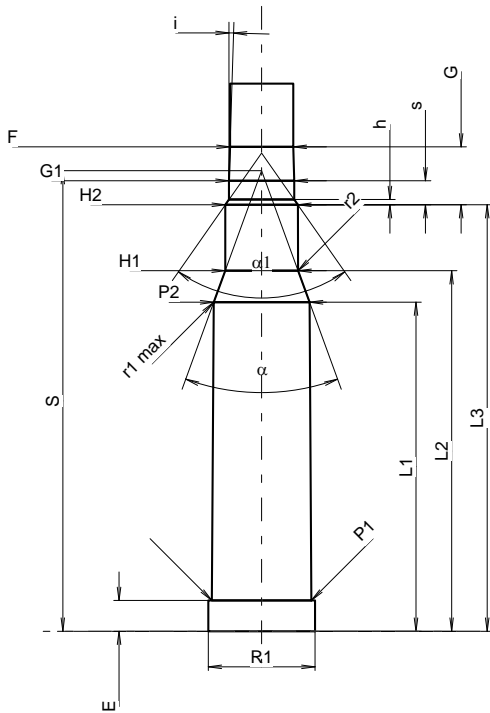
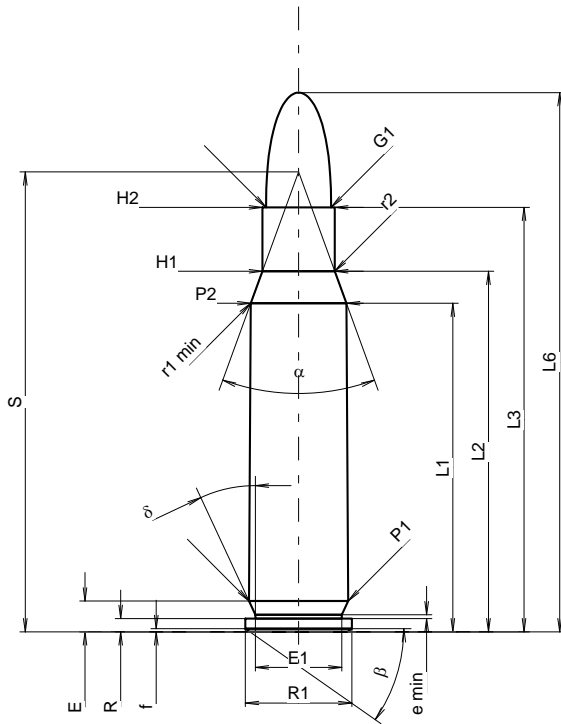
307 Win.

Country of Origin: US

TAB. II

Date 84-06-14

Revision 13-05-22



Scale 1.1:1

Dimensions in << mm >>
Dimensions and Tolerances for Proof Barrels
see Appendix CR 1.

CARTRIDGE MAXI

Lengths

L1	=	39.62
L2	=	43.48
L3 ¹⁾	=	51.18
L4	=	
L5	=	
L6	=	65.02

Case Head

R ¹⁾	=	1.60	-0.25
R1	=	12.85	
R3	=		
E	=	3.72	
E1	=	10.41	
e min	=	0.46	
delta	=	25°	
f	=	0.38	
beta	=	35°	

Powder Chamber

P1	=	11.96
P2 *	=	11.53

Junction Cone

alpha *	=	40°
S *	=	55.46
r1 min	=	0.76
r2	=	3.18

Collar

H1 *	=	8.72
H2 ¹⁾	=	8.72

Projectile

G1 ¹⁾	=	7.85
G2	=	
F	=	
L3+G ¹⁾	=	58.16

Pressures (Energies)

Method Transducer

Pmax	=	4150 bar
PK	=	4773 bar
PE	=	5190 bar
M	=	25.00
EE	=	2825 Joule

Miscellaneous Dimensions

Fe ¹⁾⁴⁾	=	0.10
delta L	=	

CHAMBER MINI

Lengths

L1	=	39.68
L2	=	43.48
L3 ¹⁾	=	51.44

Breech

R ¹⁾	=	1.60
R1	=	12.88
R2	=	
R3	=	
r	=	

Powder Chamber

E	=	3.72
P1 ¹⁾	=	12.01
P2 *	=	11.56

Junction Cone

alpha *	=	40°
S *	=	55.56
r1 max	=	0.76
r2	=	3.68

Collar

H1 *	=	8.79
H2 ¹⁾	=	8.74

Commencement of Rifling

G1 ¹⁾ *	=	7.87
G ¹⁾	=	6.98
alpha1	=	70°
h	=	0.62
s *	=	2.89
i ¹⁾ *	=	1°45'
w	=	

Barrel

F ¹⁾ *	=	7.62
Z ¹⁾	=	7.82

Grooves

b	=	4.47
N	=	4
u	=	305.00
Q	=	47.51 mm ²

Notes: 1) Check for safety reasons
4) Headspace on Rim
* Basic dimensions