

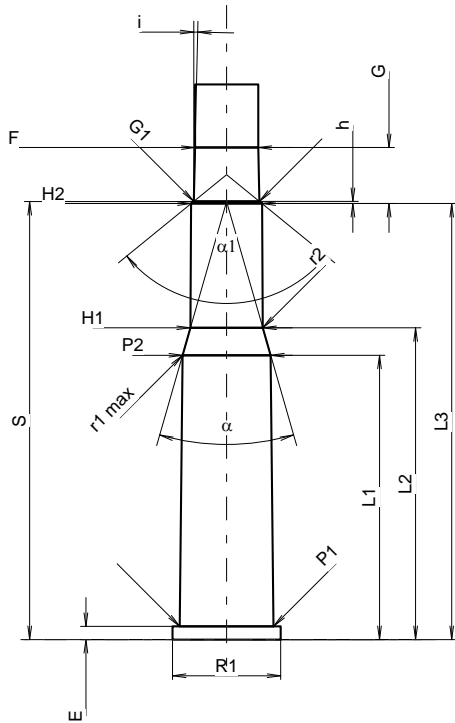
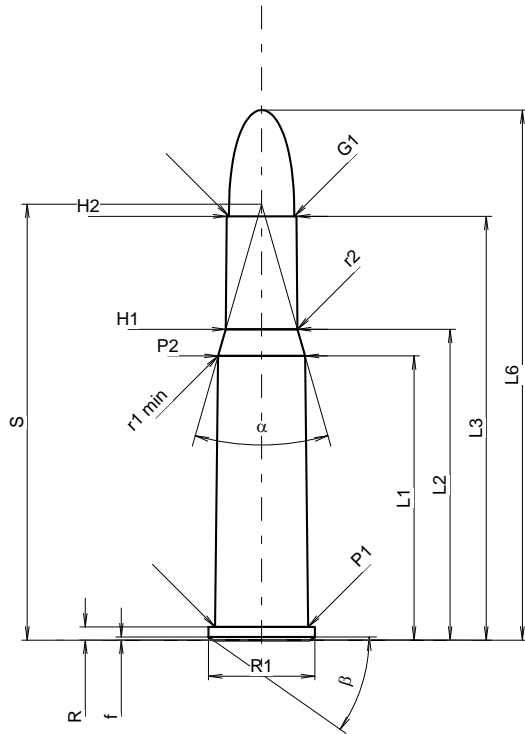
C.I.P.**303 Savage**

Country of Origin: US

TAB. II

Date 84-06-14

Revision 11-05-25



Scale 1.1:1

Dimensions in << mm >>
 Dimensions and Tolerances for Proof Barrels
 see Appendix CR 1.

CARTRIDGE MAXI**Lengths**

L1	=	34.33
L2	=	37.54
L3 ¹⁾	=	51.18
L4	=	
L5	=	
L6	=	64.01

Case Head

R ¹⁾	=	1.60	-0.25
R1	=	12.83	
R3	=		
E	=		
E1	=		
e min	=		
delta	=		
f	=	0.38	
beta	=	35°	

Powder Chamber

P1	=	11.23
P2 *	=	10.50

Junction Cone

alpha *	=	32°
S *	=	52.64
r1 min	=	0.76
r2	=	2.54

Collar

H1 *	=	8.66
H2 ¹⁾	=	8.44

Projectile

G1 ¹⁾	=	7.90
G2	=	
F	=	
L3+G ¹⁾	=	57.94

Pressures (Energies)**Method Transducer**

Pmax	=	2700 bar
PK	=	3105 bar
PE	=	3375 bar
M	=	25.00
EE	=	2455 Joule

Miscellaneous Dimensions

Fe ¹⁾⁴⁾	=	0.15
delta L	=	

CHAMBER MINI**Lengths**

L1	=	34.34
L2	=	37.65
L3 ¹⁾	=	52.65

Breech

R ¹⁾	=	1.60
R1	=	13.08
R2	=	
R3	=	
r	=	

Powder Chamber

E	=	1.60
P1 ¹⁾	=	11.33
P2 *	=	10.64

Junction Cone

alpha *	=	32°
S *	=	52.89
r1 max	=	0.76
r2	=	5.08

Collar

H1 *	=	8.74
H2 ¹⁾	=	8.55

Commencement of Rifling

G1 ¹⁾ *	=	7.92
G ¹⁾	=	6.76
alpha1 *	=	101°34'
h	=	0.26
s	=	
i ¹⁾ *	=	1°19'20"
w	=	

Barrel

F ¹⁾ *	=	7.62
Z ¹⁾	=	7.82

Grooves

b	=	2.54
N	=	6
u	=	254.00
Q	=	47.16 mm ²

Notes: 1) Check for safety reasons
 4) Headspace on Rim
 * Basic dimensions