

**C.I.P.****30 Super Fl. H&H**

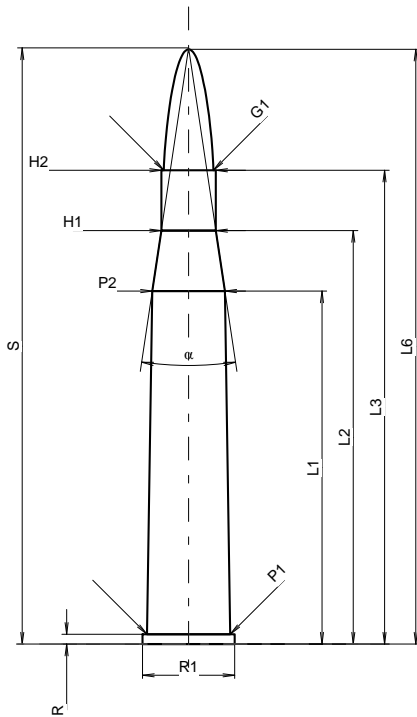
Country of Origin: GB

TAB. II

Date 84-06-14

Revision 11-05-25

Alternative Names: 300 Fl. N.E.

**CARTRIDGE MAXI****Lengths**

L1 *	=	55.63
L2 *	=	65.15
L3 <sup>1)</sup>	=	74.68
L4	=	
L5	=	
L6	=	93.73

**Case Head**

R <sup>1)</sup>	=	1.52	-0.25
R1	=	14.53	
R3	=		
E	=		
E1	=		
e min	=		
delta	=		
f	=		
beta	=		

**Powder Chamber**

P1	=	13.13
P2 *	=	11.43

**Junction Cone**

alpha	=	16°58'3"
S	=	93.94
r1 min	=	
r2	=	

**Collar**

H1 *	=	8.59
H2 <sup>1)</sup>	=	8.59

**Projectile**

G1 <sup>1)</sup>	=	7.82
G2	=	
F	=	
L3+G <sup>1)</sup>	=	81.67

**Pressures (Energies)****Method Transducer**

Pmax	=	3200 bar
PK	=	3680 bar
PE	=	4000 bar
M	=	25.00
EE	=	3520 Joule

**Miscellaneous Dimensions**

Fe <sup>1)4)</sup>	=	0.15
delta L	=	

**CHAMBER MINI****Lengths**

L1 *	=	55.65
L2 *	=	65.18
L3 <sup>1)</sup>	=	74.93

**Breech**

R <sup>1)</sup>	=	1.55
R1	=	14.78
R2	=	
R3	=	
r	=	

**Powder Chamber**

E	=	
P1 <sup>1)</sup>	=	13.16
P2 *	=	11.46

**Junction Cone**

alpha	=	16°56'58"
S	=	94.11
r1 max	=	
r2	=	

**Collar**

H1 *	=	8.62
H2 <sup>1)</sup>	=	8.61

**Commencement of Rifling**

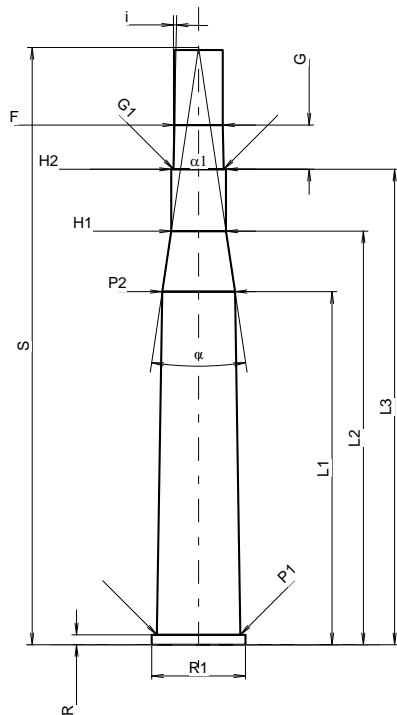
G1 <sup>1)</sup> *	=	7.89
G <sup>1)</sup> *	=	6.99
alpha1	=	180°
h	=	
s	=	
i <sup>1)</sup>	=	1°06'23"
w	=	

**Barrel**

F <sup>1)</sup> *	=	7.62
Z <sup>1)</sup>	=	7.82

**Grooves**

b	=	2.72
N	=	6
u	=	254.00
Q	=	47.27 mm <sup>2</sup>



Scale 1:1.19

Dimensions in << mm >>  
 Dimensions and Tolerances for Proof Barrels  
 see Appendix CR 1.

Notes: 1) Check for safety reasons  
 4) Headspace on Rim  
 \* Basic dimensions