

C.I.P.

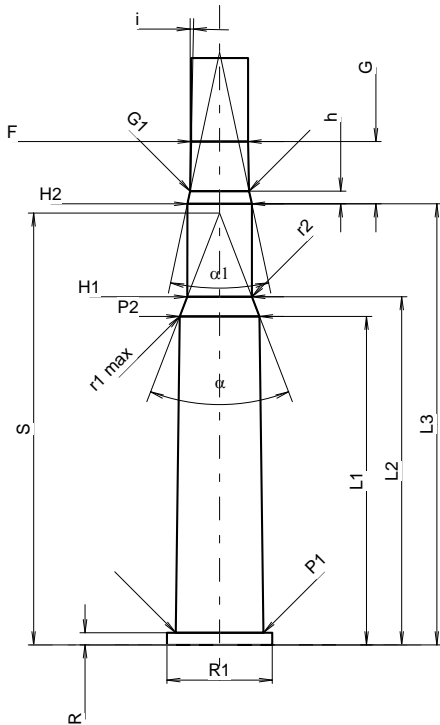
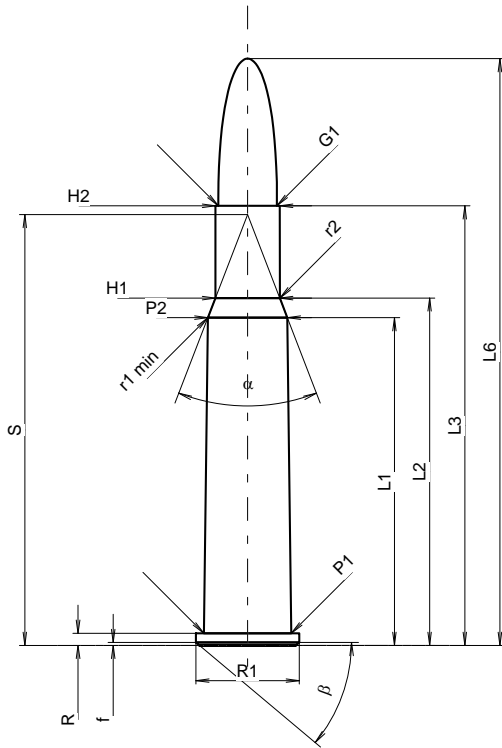
30-40 Krag

Country of Origin: US

TAB. II

Date 84-06-14

Revision 11-05-25



Scale 1:1.01

Dimensions in << mm >>
Dimensions and Tolerances for Proof Barrels
see Appendix CR 1.

CARTRIDGE MAXI

Lengths

L1	=	43.82
L2	=	46.45
L3 ¹⁾	=	58.78
L4	=	
L5	=	
L6	=	78.46

Case Head

R ¹⁾	=	1.63	-0.25
R1	=	13.84	
R3	=		
E	=		
E1	=		
e min	=		
delta	=		
f	=	0.39	
beta	=	40°	

Powder Chamber

P1	=	11.71
P2 *	=	10.64

Junction Cone

alpha *	=	42°12'
S *	=	57.61
r1 min	=	3.94
r2	=	4.06

Collar

H1 *	=	8.61
H2 ¹⁾	=	8.59

Projectile

G1 ¹⁾	=	7.85
G2	=	
F	=	
L3+G ¹⁾	=	67.10

Pressures (Energies)

Method Transducer

Pmax	=	3250 bar
PK	=	3738 bar
PE	=	4060 bar
M	=	25.00
EE	=	3750 Joule

Miscellaneous Dimensions

Fe ¹⁾⁴⁾	=	0.15
delta L	=	

CHAMBER MINI

Lengths

L1	=	43.92
L2	=	46.56
L3 ¹⁾	=	58.98

Breech

R ¹⁾	=	1.63
R1	=	14.10
R2	=	
R3	=	
r	=	

Powder Chamber

E	=	
P1 ¹⁾	=	11.74
P2 *	=	10.67

Junction Cone

alpha *	=	42°12'
S *	=	57.74
r1 max	=	3.94
r2	=	4.57

Collar

H1 *	=	8.63
H2 ¹⁾	=	8.61

Commencement of Rifling

G1 ¹⁾ *	=	7.89
G ¹⁾	=	8.32
alpha1 *	=	24°
h	=	1.69
s	=	
i ¹⁾ *	=	1°10'
w	=	

Barrel

F ¹⁾ *	=	7.62
Z ¹⁾	=	7.82

Grooves

b	=	2.39
N	=	6
u	=	254.00
Q	=	47.06 mm ²

Notes: 1) Check for safety reasons
4) Headspace on Rim
* Basic dimensions