

C.I.P.

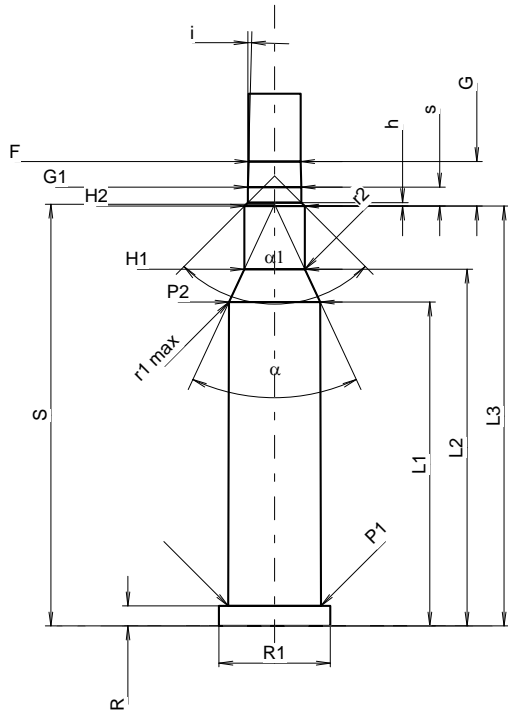
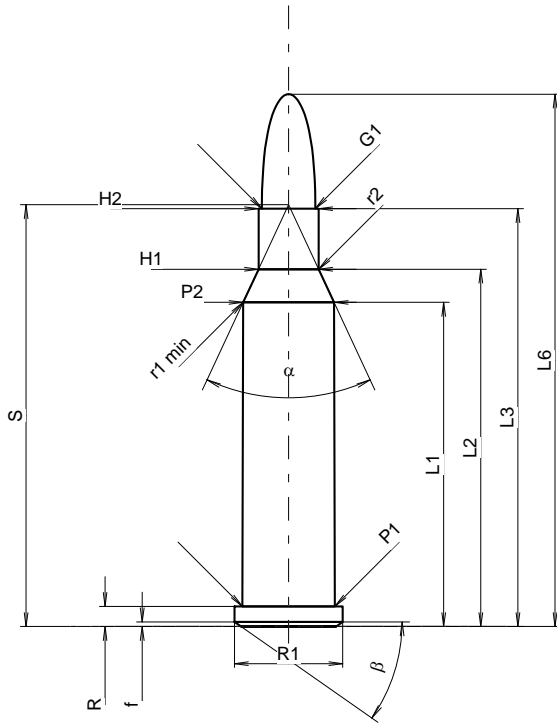
17 Hornet

Country of Origin: US

TAB. II

Date 14-05-20

Revision



Scale 1.61:1

Dimensions in << mm >>
Dimensions and Tolerances for Proof Barrels
see Appendix CR1.

CARTRIDGE MAXI

Lengths

L1	=	26.60
L2	=	29.32
L3 ¹⁾	=	34.29
L4	=	
L5	=	
L6	=	43.69

Case Head

R ¹⁾	=	1.65	-0.25
R1	=	8.89	
R3	=		
E	=		
E1	=		
e min	=		
delta	=		
f	=	0.38	
beta	=	35°	

Powder Chamber

P1	=	7.59
P2 *	=	7.47

Junction Cone

alpha *	=	50°
S *	=	34.61
r1 min	=	0.64
r2	=	1.91

Collar

H1 *	=	4.93
H2 ¹⁾	=	4.93

Projectile

G1 ¹⁾	=	4.38
G2	=	
F	=	
L3+G ¹⁾	=	37.95

Pressures (Energies)

Method Transducer

Pmax	=	3700 bar
PK	=	4255 bar
PE	=	4625 bar
M	=	17.50
EE	=	820 Joule

Miscellaneous Dimensions

Fe ¹⁾⁴⁾	=	0.15
delta L	=	

CHAMBER MINI

Lengths

L1	=	26.58
L2	=	29.28
L3 ¹⁾	=	34.46

Breech

R ¹⁾	=	1.65
R1	=	9.14
R2	=	
R3	=	
r	=	

Powder Chamber

E	=	
P1 ¹⁾	=	7.62
P2 *	=	7.49

Junction Cone

alpha *	=	50°
S *	=	34.61
r1 max	=	0.64
r2	=	1.91

Collar

H1 *	=	4.97
H2 ¹⁾	=	4.96

Commencement of Rifling

G1 ¹⁾ *	=	4.38
G ¹⁾	=	3.66
alpha l	=	90°
h	=	0.29
s *	=	1.56
i ¹⁾ *	=	1°30'
w	=	

Barrel

F ¹⁾ *	=	4.27
Z ¹⁾	=	4.37

Grooves

b	=	1.57
N	=	6
u	=	228.00
Q	=	14.80 mm ²

Notes: 1) Check for safety reasons
4) Headspace on Rim
* Basic dimensions