

C.I.P.**8 x 57 I****TAB. I****Date 84-06-14**

Pays d'origine: DE

Révision 02-05-15**CARTOUCHE MAXI****CHAMBRE MINI****Longueurs**

L1 ¹⁾ *	=	46.20	-0.20
L2 ¹⁾ *	=	49.03	-0.20
L3 ¹⁾	=	57.00	
L4	=		
L5	=		
L6	=	82.00	

Longueurs

L1 *	=	46.16
L2 *	=	48.98
L3 ¹⁾	=	57.30

Culot

R	=	1.30
R1	=	11.95
R3	=	
E	=	3.20
E1	=	10.50
e min	=	1.00
δ	=	38°39'36"
f	=	0.30
β	=	45°

Cuvette

R	=	1.30
R1	=	12.00
R2	=	
R3	=	
r	=	

Chambre à poudre

P1	=	11.94
P2 ¹⁾ *	=	10.95

Chambre à poudre

E	=	3.20
P1 ¹⁾	=	11.97
P2 *	=	10.98

Cône de raccordement

α	=	38°12'02"
S	=	62.01
r1 min	=	0.50
r2	=	0.50

Cône de raccordement

α ¹⁾	=	38°19'33"
S	=	61.96
r1 max	=	0.50
r2	=	0.50

Collet

H1 *	=	8.99
H2 ¹⁾	=	8.99

Collet

H1 *	=	9.02
H2 ¹⁾	=	9.01

Projectile

G1 ¹⁾	=	8.09
G2	=	
F	=	
L3+G ¹⁾	=	99.00

Prise de rayures

G1 ¹⁾ *	=	8.15
G ¹⁾ *	=	42.00
α 1	=	90°
h *	=	0.43
s	=	
i ¹⁾	=	0°14'28"
w	=	

Pressions (Énergies)**Méthode transducteur**

Pmax	=	3800 bar
PK	=	4370 bar
PE	=	4750 bar
M	=	25.00
EE	=	3950 Joule

Canon

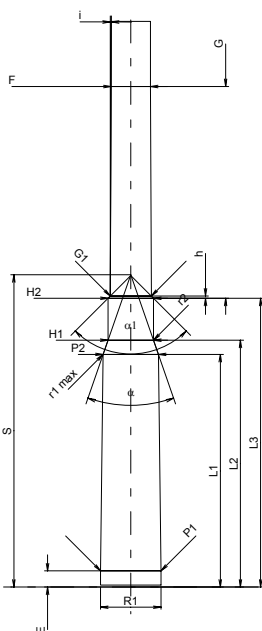
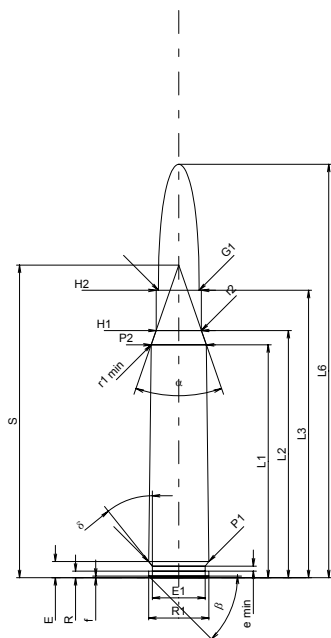
F ¹⁾ *	=	7.80
Z ¹⁾	=	8.07

Rayures

b	=	4.40
N	=	4
u	=	240.00
Q	=	50.30 mm ²

Autres indications

Fe ¹⁾	=	0.15
delta L	=	



Échelle 1:1.5

Dimensions en << mm >>
Dimensions et tolérances pour les canons
d'épreuve: Voyez Annexe CR 1.

Notes: 1) A' contrôler pour la sécurité
* Dimensions de base