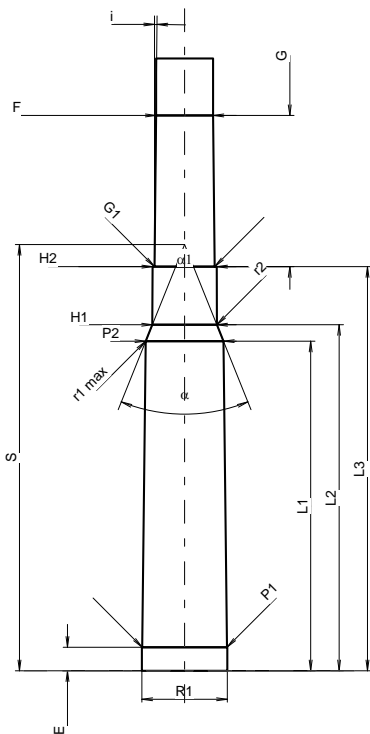
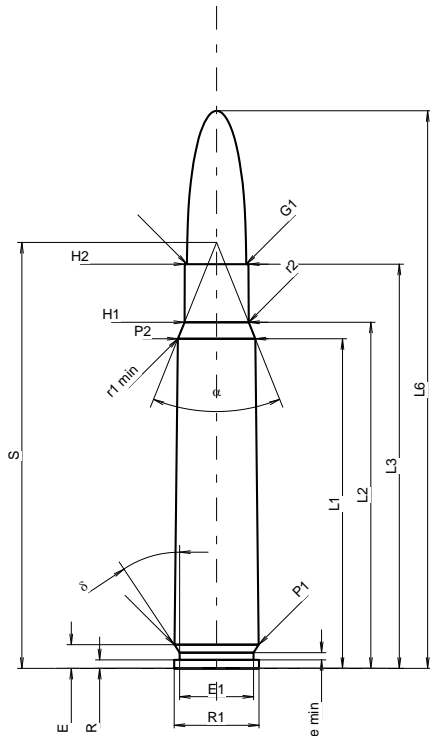


C.I.P.**8 x 56 M.-Sch.**

TAB.	I
Date	84-06-14
Révision	02-05-15

Pays d'origine: AT



Échelle 1:1.05

Dimensions en << mm >>
Dimensions et tolérances pour les canons
d'épreuve: Voyez Annexe CR 1.

CARTOUCHE MAXI**Longueurs**

L1 ¹⁾ *	=	46.00	-0.20
L2 ¹⁾ *	=	48.30	-0.20
L3 ¹⁾	=	56.40	
L4	=		
L5	=	56.70	
L6	=	77.80	

Culot

R	=	1.20	
R1	=	11.85	
R3	=		
E	=	3.30	
E1	=	10.30	
e min	=	1.00	
δ	=	33°45'	
f	=		
β	=	90°	

Chambre à poudre

P1	=	11.77	
P2 ¹⁾ *	=	10.80	+0.20

Cône de raccordement

α	=	43°49'01"	
S	=	59.43	
r1 min	=	0.50	
r2	=	0.50	

Collet

H1 *	=	8.95	
H2 ¹⁾	=	8.90	

Projectile

G1 ¹⁾	=	8.25	
G2	=	8.25	
F	=		
L3+G ¹⁾	=	77.50	

Pressions (Énergies)**Méthode transducteur**

Pmax	=	3200 bar	
PK	=	3680 bar	
PE	=	4000 bar	
M	=	25.00	
EE	=	2860 Joule	

Autres indications

Fe ¹⁾	=	0.15	
delta L	=		

Notes: 1) A' contrôler pour la sécurité
* Dimensions de base

CHAMBRE MINI**Longueurs**

L1 *	=	46.00	
L2 *	=	48.30	
L3 ¹⁾	=	56.40	

Cuvette

R	=	1.20	
R1	=	11.90	
R2	=		
R3	=		
r	=		

Chambre à poudre

E	=	3.30	
P1 ¹⁾	=	11.83	
P2 *	=	10.85	

Cône de raccordement

α ¹⁾	=	43°49'01"	
S	=	59.49	
r1 max	=	0.50	
r2	=	0.50	

Collet

H1 *	=	9.00	
H2 ¹⁾	=	8.95	

Prise de rayures

G1 ¹⁾ *	=	8.40	
G ¹⁾ *	=	21.10	
α1	=	180°	
h	=		
s	=		
i ¹⁾	=	0°36'38"	
w	=		

Canon

F ¹⁾ *	=	7.95	
Z ¹⁾	=	8.30	

Rayures

b	=	3.80	
N	=	4	
u	=	250.00	
Q	=	52.41	mm ²