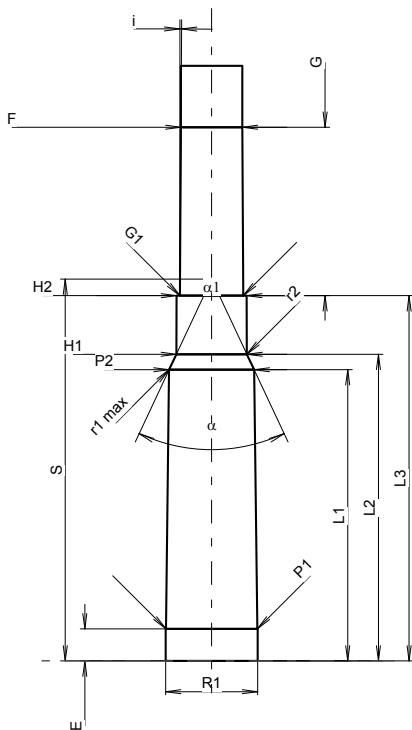
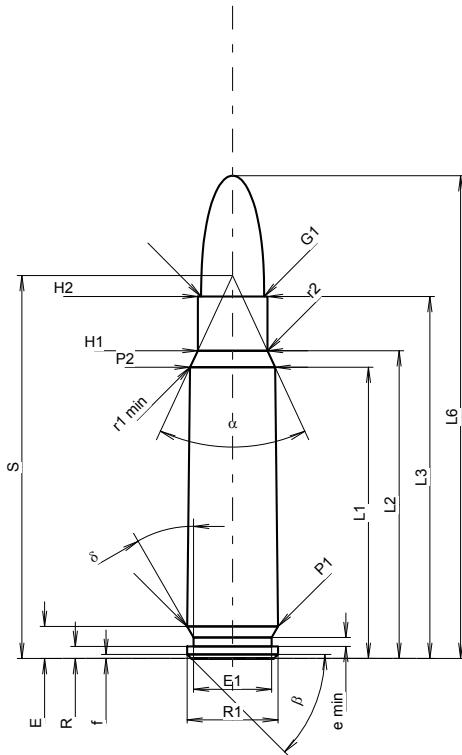


C.I.P.

7,62 x 45

Pays d'origine: CS

TAB.	I
Date	92-08-03
Révision	08-09-23



Échelle 1.06:1

Dimensions en << mm >>
Dimensions et tolérances pour les canons
d'épreuve: Voyez Annexe CR 1.

CARTOUCHE MAXI

Longueurs

L1 ^{1)*}	=	36.20	-0.20
L2 ^{1)*}	=	38.25	-0.20
L3 ¹⁾	=	45.00	
L4	=		
L5	=		
L6	=	60.00	

Culot

R	=	1.50	
R1	=	11.30	
R3	=		
E	=	3.99	
E1	=	9.70	
e min	=	1.10	
delta	=	30°	
f	=	0.50	
beta	=	45°	

Chambre à poudre

P1	=	11.30	
P2 ^{1)*}	=	10.56	-0.20

Cône de raccordement

alpha	=	49°43'39"	
S	=	47.59	
r1 min	=	0.50	
r2	=	0.50	

Collet

H1 *	=	8.66	
H2 ¹⁾	=	8.66	

Projectile

G1 ¹⁾	=	7.83	
G2	=		
F	=		
L3+G ¹⁾	=	65.93	

Pressions (Énergies)

Méthode transducteur

Pmax	=	4300 bar	
PK	=	4945 bar	
PE	=	5375 bar	
M	=	25.00	
EE	=	2515 Joule	

Autres indications

Fe ¹⁾³⁾	=	0.10	
delta L	=		

CHAMBRE MINI

Longueurs

L1 *	=	36.20	
L2 *	=	38.12	
L3 ¹⁾	=	45.40	

Cuvette

R	=		
R1	=	11.45	
R2	=		
R3	=		
r	=		

Chambre à poudre

E	=	3.99	
P1 ¹⁾	=	11.35	
P2 *	=	10.56	

Cône de raccordement

alpha ¹⁾	=	50°13'46"	
S	=	47.46	
r1 max	=	0.50	
r2	=	1.00	

Collet

H1 *	=	8.76	
H2 ¹⁾	=	8.70	

Prise de rayures

G1 ^{1)*}	=	7.90	
G ^{1)*}	=	20.93	
alpha1	=	180°	
h	=		
s	=		
i ¹⁾	=	0°22'59"	
w	=		

Canon

F ^{1)*}	=	7.62	
Z ¹⁾	=	7.88	

Rayures

b	=	3.50	
N	=	4	
u	=	280.00	
Q	=	47.49	mm ²

Notes: 1) A' contrôler pour la sécurité
3) Feuillure sur la cone de raccordement
* Dimensions de base