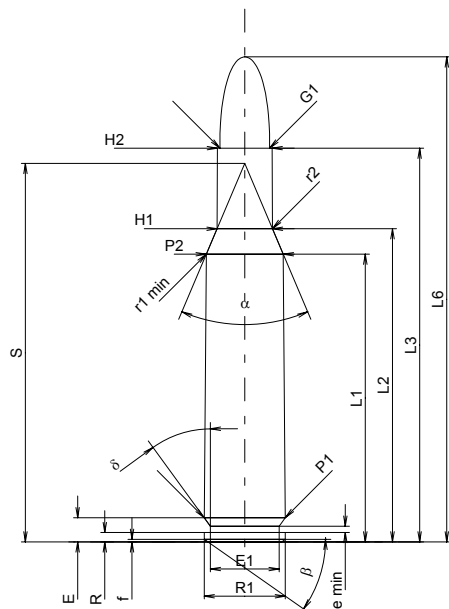


C.I.P.

25 Rem.

TAB. I
Date 84-06-14
Revision 02-05-15

Country of Origin: US


CARTRIDGE MAXI
Lengths

L1 ¹⁾	=	38.05	-0.20
L2 ¹⁾	=	41.42	-0.20
L3 ¹⁾	=	52.07	
L4	=		
L5	=		
L6	=	64.14	

Case Head

R	=	1.24	
R1	=	10.72	
R3	=		
E	=	3.20	
E1	=	9.09	
e min	=	0.84	
δ	=	36°	
f	=	0.33	
β	=	35°	

Powder Chamber

P1	=	10.72	
P2 ^{1)*}	=	10.19	-0.20

Junction Cone

α [*]	=	46°	
S [*]	=	50.05	
r1 min	=	0.64	
r2	=	2.54	

Collar

H1 [*]	=	7.33	
H2 ¹⁾	=	7.26	

Projectile

G1 ¹⁾	=	6.58	
G2	=		
F	=		
L3+G ¹⁾	=	56.07	

Pressures (Energies)
Method Transducer

Pmax	=	2450 bar	
PK	=	2817 bar	
PE	=	3063 bar	
M	=	25.00	
EE	=	1995 Joule	

Miscellaneous Dimensions

Fe ¹⁾	=	0.15	
delta L	=		

CHAMBER MINI
Lengths

L1	=	38.01	
L2	=	41.40	
L3 ¹⁾	=	52.20	

Breech

R	=		
R1	=	10.78	
R2	=		
R3	=		
r	=		

Powder Chamber

E	=	3.20	
P1 ¹⁾	=	10.75	
P2 [*]	=	10.22	

Junction Cone

α ^{1)*}	=	46°	
S [*]	=	50.05	
r1 max	=	0.64	
r2	=	2.54	

Collar

H1 [*]	=	7.34	
H2 ¹⁾	=	7.26	

Commencement of Rifling

G1 ^{1)*}	=	6.58	
G ¹⁾	=	4.00	
α1 [*]	=	60°	
h	=	0.59	
s	=		
i ^{1)*}	=	1°55'59"	
w	=		

Barrel

F ^{1)*}	=	6.35	
Z ¹⁾	=	6.50	

Grooves

b	=	2.41	
N	=	6	
u	=	254.00	
Q	=	32.78	mm ²

Scale 1:1

Dimensions in << mm >>
 Dimensions and Tolerances for Proof Barrels
 see Appendix CR 1.

Notes: 1) Check for safety reasons
 * Basic dimensions