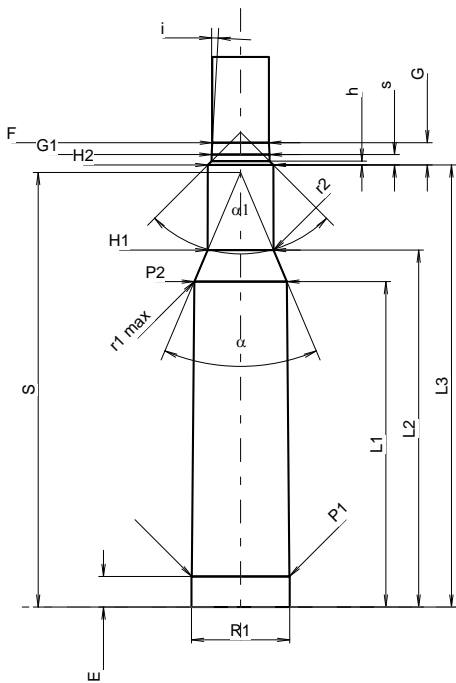
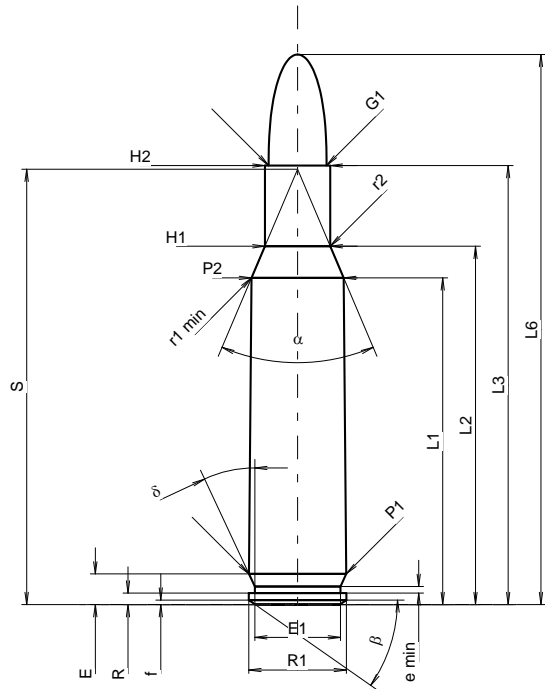


C.I.P.

222 Rem.

TAB. I
Date 84-06-14
Revision 08-09-13

Country of Origin: US



Scale 1.35:1

CARTRIDGE MAXI
Lengths

L1 ¹⁾	=	32.13	-0.20
L2 ¹⁾	=	35.24	-0.20
L3 ¹⁾	=	43.18	
L4	=		
L5	=		
L6	=	54.10	

Case Head

R	=	1.14	
R1	=	9.60	
R3	=		
E	=	3.01	
E1	=	8.43	
e min	=	0.64	
delta	=	25°	
f	=	0.45	
beta	=	35°	

Powder Chamber

P1	=	9.58	
P2 ¹⁾ *	=	9.07	-0.20

Junction Cone

alpha *	=	46°	
S *	=	42.81	
r1 min	=	0.64	
r2	=	2.54	

Collar

H1 *	=	6.43	
H2 ¹⁾	=	6.43	

Projectile

G1 ¹⁾	=	5.70	
G2	=		
F	=		
L3+G ¹⁾	=	45.37	

Pressures (Energies)
Method Transducer

Pmax	=	3700 bar	
PK	=	4255 bar	
PE	=	4625 bar	
M	=	25.00	
EE	=	1810 Joule	

Miscellaneous Dimensions

Fe ¹⁾³⁾	=	0.15	
delta L	=	0.08	

CHAMBER MINI
Lengths

L1	=	32.01	
L2	=	35.10	
L3 ¹⁾	=	43.48	

Breech

R	=		
R1	=	9.66	
R2	=		
R3	=		
r	=		

Powder Chamber

E	=	3.01	
P1 ¹⁾	=	9.61	
P2 *	=	9.10	

Junction Cone

alpha ¹⁾ *	=	46°	
S *	=	42.74	
r1 max	=	0.64	
r2	=	3.18	

Collar

H1 *	=	6.48	
H2 ¹⁾	=	6.45	

Commencement of Rifling

G1 ¹⁾ *	=	5.69	
G ¹⁾	=	2.191	
alpha l	=	90°	
h	=	0.38	
s *	=	1.02	
i ¹⁾ *	=	3°10'36"	
w	=		

Barrel

F ¹⁾ *	=	5.56	
Z ¹⁾	=	5.69	

Grooves

b	=	2.03	
N	=	6	
u	=	356.00	
Q	=	25.09	mm ²

 Dimensions in << mm >>
 Dimensions and Tolerances for Proof Barrels
 see Appendix CR 1.

 Notes: 1) Check for safety reasons
 3) Headspace on Shoulder
 * Basic dimensions