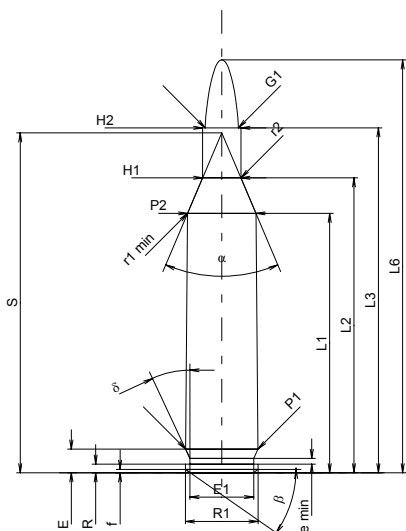


C.I.P.

17 Rem.

TAB. I
Date 84-06-14
Revision 02-05-15

Country of Origin: US


CARTRIDGE MAXI
Lengths

L1 ¹⁾	=	34.31	-0.20
L2 ¹⁾	=	39.01	-0.20
L3 ¹⁾	=	45.62	
L4	=		
L5	=		
L6	=	54.61	

Case Head

R	=	1.14	
R1	=	9.60	
R3	=		
E	=	3.13	
E1	=	8.43	
e min	=	0.76	
δ	=	25°	
f	=	0.45	
β	=	35°	

Powder Chamber

P1	=	9.58	
P2 ^{1)*}	=	9.04	-0.20

Junction Cone

α*	=	46°	
S*	=	44.96	
r1 min	=	0.64	
r2	=	2.54	

Collar

H1*	=	5.05	
H2 ¹⁾	=	5.05	

Projectile

G1 ¹⁾	=	4.38	
G2	=		
F	=		
L3+G1 ¹⁾	=	47.74	

Pressures (Energies)
Method Transducer

Pmax	=	4250 bar	
PK	=	4888 bar	
PE	=	5310 bar	
M	=	25.00	
EE	=	1290 Joule	

Miscellaneous Dimensions

Fe ¹⁾	=	0.10	
delta L	=		

CHAMBER MINI
Lengths

L1	=	34.22	
L2	=	38.87	
L3 ¹⁾	=	45.92	

Breech

R	=		
R1	=	9.66	
R2	=		
R3	=		
r	=		

Powder Chamber

E	=	3.13	
P1 ¹⁾	=	9.61	
P2*	=	9.06	

Junction Cone

α ^{1)*}	=	46°	
S*	=	44.89	
r1 max	=	0.64	
r2	=	3.18	

Collar

H1*	=	5.11	
H2 ¹⁾	=	5.08	

Commencement of Rifling

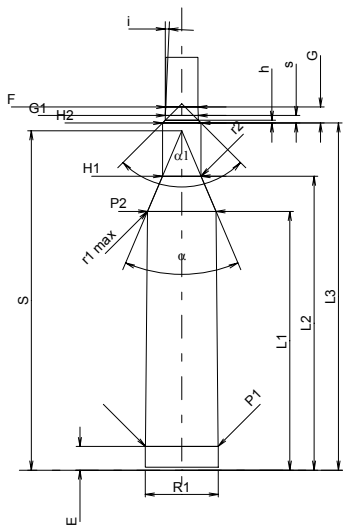
G1 ^{1)*}	=	4.37	
G ¹⁾	=	2.12	
α1*	=	90°	
h	=	0.36	
s	=	0.99	
i ^{1)*}	=	2°32'41"	
w	=		

Barrel

F ^{1)*}	=	4.27	
Z ¹⁾	=	4.37	

Grooves

b	=	1.57	
N	=	6	
u	=	229.00	
Q	=	14.80	mm ²



Scale 1:1

 Dimensions in << mm >>
 Dimensions and Tolerances for Proof Barrels
 see Appendix CR 1.

 Notes: 1) Check for safety reasons
 * Basic dimensions