

# C.I.P.

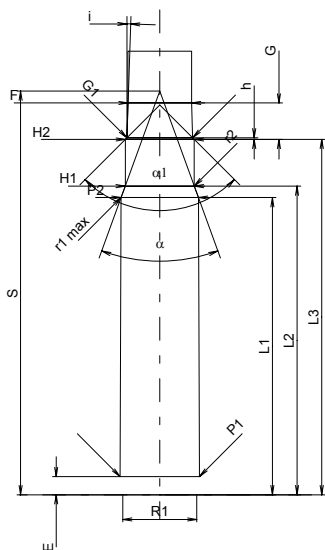
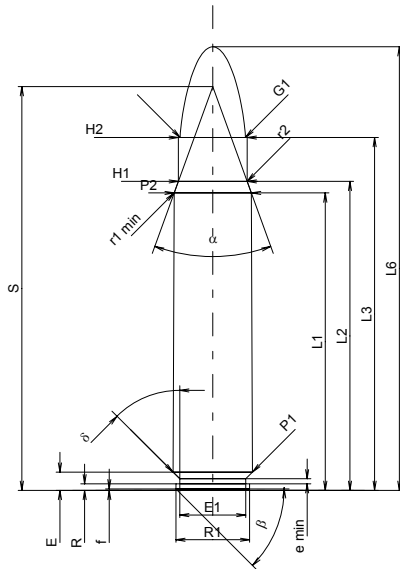
## 12,7 x 70 (500 Schüler)

Country of Origin: DE

TAB. I

Date 98-01-27

Revision 02-05-15



Scale 1:1.5

Dimensions in << mm >>  
Dimensions and Tolerances for Proof Barrels  
see Appendix CR 1.

### CARTRIDGE MAXI

#### Lengths

L1 <sup>1)</sup> *	=	59.00	-0.20
L2 <sup>1)</sup> *	=	61.30	-0.20
L3 <sup>1)</sup>	=	70.00	
L4	=		
L5	=		
L6	=	88.00	

#### Case Head

R	=	1.30	
R1	=	14.65	
R3	=		
E	=	3.61	
E1	=	13.10	
e min	=	1.00	
delta	=	45°	
f	=	0.30	
beta	=	45°	

#### Powder Chamber

P1	=	15.73	
P2 <sup>1)</sup> *	=	15.32	-0.20

#### Junction Cone

alpha	=	39°54'22"	
S	=	80.10	
r1 min	=	3.00	
r2	=	4.00	

#### Collar

H1 *	=	13.65	
H2 <sup>1)</sup>	=	13.65	

#### Projectile

G1 <sup>1)</sup>	=	12.96	
G2	=		
F	=		
L3+G1 <sup>1)</sup>	=	77.22	

#### Pressures (Energies)

##### Method Transducer

Pmax	=	3300 bar	
PK	=	3795 bar	
PE	=	4125 bar	
M	=	25.00	
EE	=	9240 Joule	

#### Miscellaneous Dimensions

Fe <sup>1)</sup>	=	0.15	
delta L	=		

### CHAMBER MINI

#### Lengths

L1 *	=	58.96	
L2 *	=	61.23	
L3 <sup>1)</sup>	=	70.50	

#### Breech

R	=	1.30	
R1	=	14.70	
R2	=		
R3	=		
r	=		

#### Powder Chamber

E	=	3.61	
P1 <sup>1)</sup>	=	15.76	
P2 *	=	15.35	

#### Junction Cone

alpha <sup>1)</sup>	=	39°56'45"	
S	=	80.08	
r1 max	=	1.00	
r2	=	4.00	

#### Collar

H1 *	=	13.70	
H2 <sup>1)</sup>	=	13.68	

#### Commencement of Rifling

G1 <sup>1)</sup> *	=	13.05	
G <sup>1)</sup> *	=	7.22	
alpha1	=	90°	
h *	=	0.31	
s	=		
i <sup>1)</sup>	=	1°51'54"	
w	=		

#### Barrel

F <sup>1)</sup> *	=	12.60	
Z <sup>1)</sup>	=	12.94	

#### Grooves

b	=	3.58	
N	=	8	
u	=	450.00	
Q	=	129.62	mm <sup>2</sup>

Notes: 1) Check for safety reasons  
\* Basic dimensions