

# C.I.P.

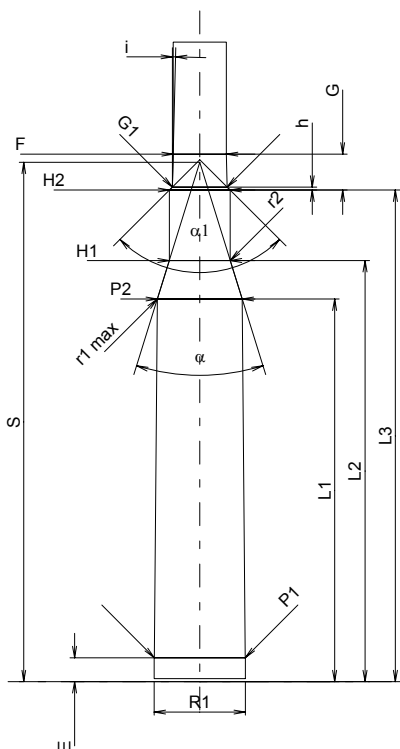
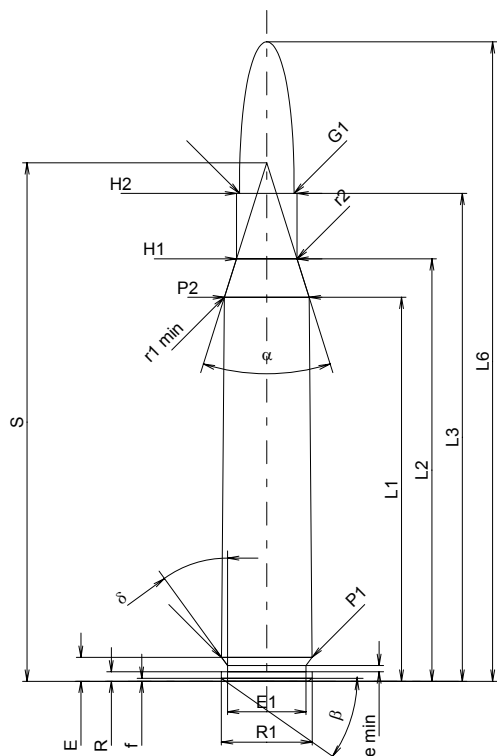
## 7 mm Exp. Rem.

Country of Origin: US

TAB. I

Date 84-06-14

Revision 02-05-15



Scale 1:1

Dimensions in << mm >>  
Dimensions and Tolerances for Proof Barrels  
see Appendix CR 1.

### CARTRIDGE MAXI

#### Lengths

L1 <sup>1)</sup>	=	50.78	-0.20
L2 <sup>1)</sup>	=	55.87	-0.20
L3 <sup>1)</sup>	=	64.52	
L4	=		
L5	=		
L6	=	84.58	

#### Case Head

R	=	1.24	
R1	=	12.01	
R3	=		
E	=	3.17	
E1	=	10.39	
e min	=	0.84	
delta	=	36°	
f	=	0.38	
beta	=	35°	

#### Powder Chamber

P1	=	11.97	
P2 <sup>1)</sup> *	=	11.21	-0.20

#### Junction Cone

alpha*	=	35°	
S*	=	68.56	
r1 min	=	0.64	
r2	=	2.54	

#### Collar

H1*	=	8.00	
H2 <sup>1)</sup>	=	8.00	

#### Projectile

G1 <sup>1)</sup>	=	7.23	
G2	=		
F	=		
L3+G <sup>1)</sup>	=	69.27	

#### Pressures (Energies)

##### Method Transducer

Pmax	=	4050 bar	
PK	=	4658 bar	
PE	=	5060 bar	
M	=	25.00	
EE	=	3930 Joule	

#### Miscellaneous Dimensions

Fe <sup>1)</sup>	=	0.10	
delta L	=	0.14	

### CHAMBER MINI

#### Lengths

L1	=	50.61	
L2	=	55.70	
L3 <sup>1)</sup>	=	65.02	

#### Breech

R	=		
R1	=	12.06	
R2	=		
R3	=		
r	=		

#### Powder Chamber

E	=	3.17	
P1 <sup>1)</sup>	=	12.00	
P2*	=	11.23	

#### Junction Cone

alpha <sup>1)</sup> *	=	34°30'	
S*	=	68.69	
r1 max	=	0.64	
r2	=	3.18	

#### Collar

H1*	=	8.07	
H2 <sup>1)</sup>	=	8.02	

#### Commencement of Rifling

G1 <sup>1)</sup> *	=	7.25	
G <sup>1)</sup>	=	4.75	
alpha1*	=	90°	
h	=	0.39	
s	=		
i <sup>1)</sup> *	=	1°22'34"	
w	=		

#### Barrel

F <sup>1)</sup> *	=	7.04	
Z <sup>1)</sup>	=	7.21	

#### Grooves

b	=	2.79	
N	=	6	
u	=	241.00	
Q	=	40.39	mm <sup>2</sup>

Notes: 1) Check for safety reasons  
\* Basic dimensions