

C.I.P.

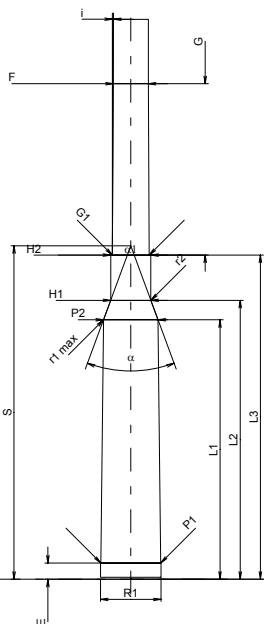
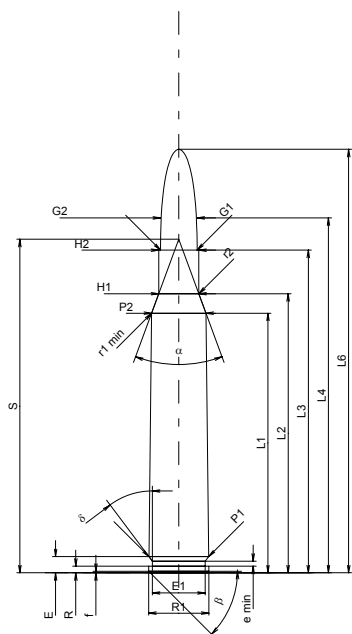
7 x 64

Country of Origin: DE

TAB. I

Date 84-06-14

Revision 02-05-15



Scale 1:1.5

Dimensions in << mm >>
Dimensions and Tolerances for Proof Barrels
see Appendix CR 1.

CARTRIDGE MAXI

Lengths

L1 ¹⁾ *	=	51.50	-0.20
L2 ¹⁾ *	=	55.37	-0.20
L3 ¹⁾	=	64.00	
L4	=	70.40	
L5	=		
L6	=	84.00	

Case Head

R	=	1.30	
R1	=	11.95	
R3	=		
E	=	3.20	
E1	=	10.50	
e min	=	1.00	
delta	=	36°52'12"	
f	=	0.30	
beta	=	45°	

Powder Chamber

P1	=	11.85	
P2 ¹⁾ *	=	10.80	-0.20

Junction Cone

alpha	=	40°25'44"	
S	=	66.17	
r1 min	=	0.50	
r2	=	0.50	

Collar

H1 *	=	7.95	
H2 ¹⁾	=	7.95	

Projectile

G1 ¹⁾	=	7.25	
G2	=	7.25	
F	=		
L3+G ¹⁾	=	98.00	

Pressures (Energies)

Method Transducer

Pmax	=	4150 bar	
PK	=	4773 bar	
PE	=	5190 bar	
M	=	25.00	
EE	=	4270 Joule	

Miscellaneous Dimensions

Fe ¹⁾	=	0.10	
delta L	=		

CHAMBER MINI

Lengths

L1 *	=	51.46	
L2 *	=	55.32	
L3 ¹⁾	=	64.30	

Breech

R	=	1.30	
R1	=	12.00	
R2	=		
R3	=		
r	=		

Powder Chamber

E	=	3.20	
P1 ¹⁾	=	11.88	
P2 *	=	10.83	

Junction Cone

alpha ¹⁾	=	40°31'33"	
S	=	66.13	
r1 max	=	0.50	
r2	=	0.50	

Collar

H1 *	=	7.98	
H2 ¹⁾	=	7.97	

Commencement of Rifling

G1 ¹⁾ *	=	7.32	
G ¹⁾ *	=	34.00	
alpha1	=	180°	
h	=		
s	=		
i ¹⁾	=	0°17'11"	
w	=		

Barrel

F ¹⁾ *	=	6.98	
Z ¹⁾	=	7.24	

Grooves

b	=	3.70	
N	=	4	
u	=	220.00	
Q	=	40.29	mm ²

Notes: 1) Check for safety reasons
* Basic dimensions