

# C.I.P.

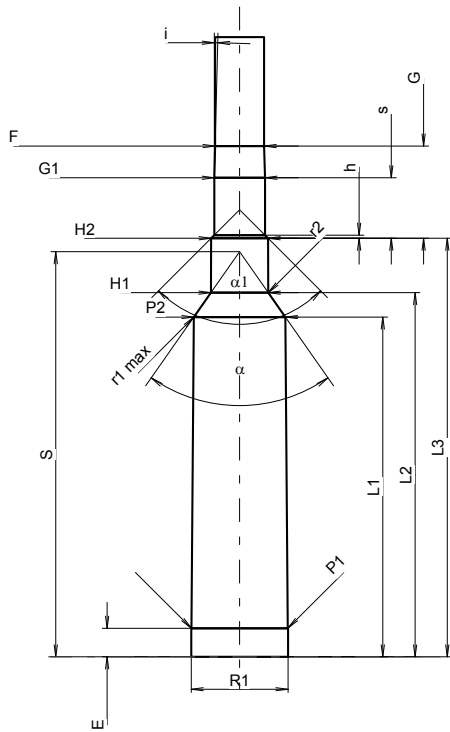
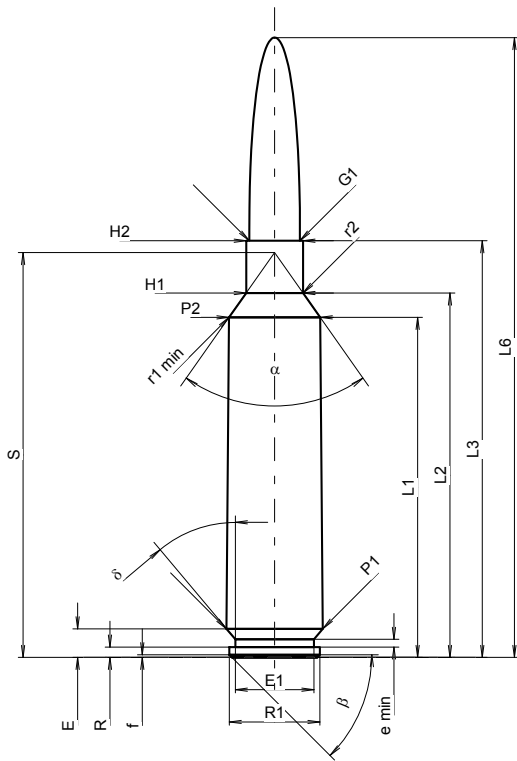
## 6,5 - 284 Norma

Country of Origin: SE

TAB. I

Date 00-02-15

Revision 08-04-15



Scale 1:1

Dimensions in << mm >>  
Dimensions and Tolerances for Proof Barrels  
see Appendix CR 1.

### CARTRIDGE MAXI

#### Lengths

L1 <sup>1)</sup>	=	44.98	-0.20
L2 <sup>1)</sup>	=	48.20	-0.20
L3 <sup>1)</sup>	=	55.12	
L4	=		
L5	=		
L6	=	82.00	

#### Case Head

R	=	1.37	
R1	=	12.01	
R3	=		
E	=	3.78	
E1	=	10.39	
e min	=	1.02	
delta	=	40°	
f	=	0.35	
beta	=	45°	

#### Powder Chamber

P1	=	12.72	
P2 <sup>1)</sup> *	=	12.06	-0.20

#### Junction Cone

alpha *	=	70°14'46"	
S *	=	53.55	
r1 min	=	0.76	
r2	=	3.18	

#### Collar

H1 *	=	7.53	
H2 <sup>1)</sup>	=	7.53	

#### Projectile

G1 <sup>1)</sup>	=	6.71	
G2	=		
F	=		
L3+G <sup>1)</sup>	=	67.34	

#### Pressures (Energies)

##### Method Transducer

Pmax	=	4100 bar	
PK	=	4715 bar	
PE	=	5125 bar	
M	=	25.00	
EE	=	3200 Joule	

#### Miscellaneous Dimensions

Fe <sup>1)3)</sup>	=	0.10	
delta L	=		

### CHAMBER MINI

#### Lengths

L1	=	44.96	
L2	=	48.18	
L3 <sup>1)</sup>	=	55.37	

#### Breech

R	=		
R1	=	12.81	
R2	=		
R3	=		
r	=		

#### Powder Chamber

E	=	3.78	
P1 <sup>1)</sup>	=	12.75	
P2 *	=	12.09	

#### Junction Cone

alpha <sup>1)</sup> *	=	70°	
S *	=	53.59	
r1 max	=	0.76	
r2	=	3.18	

#### Collar

H1 *	=	7.58	
H2 <sup>1)</sup>	=	7.55	

#### Commencement of Rifling

G1 <sup>1)</sup> *	=	6.72	
G <sup>1)</sup>	=	12.22	
alpha 1 *	=	90°	
h	=	0.42	
s	=	8.02	
i <sup>1)</sup>	=	1°30'	
w	=		

#### Barrel

F <sup>1)</sup> *	=	6.50	
Z <sup>1)</sup>	=	6.71	

#### Grooves

b	=	2.29	
N	=	6	
u	=	228.60	
Q	=	34.66	mm <sup>2</sup>

Notes: 1) Check for safety reasons  
3) Headspace on Shoulder  
\* Basic dimensions