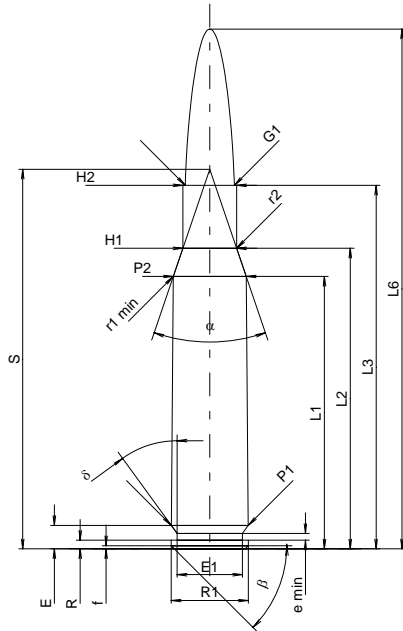


C.I.P.

510 DTC

TAB.	I
Date	04-05-18
Revision	04-09-27

Country of Origin: GB



CARTRIDGE MAXI

Lengths

L1 ¹⁾ *	=	72.04	-0.20
L2 ¹⁾ *	=	79.48	-0.20
L3 ¹⁾	=	96.14	
L4	=		
L5	=		
L6	=	137.47	

Case Head

R	=	2.26
R1	=	20.42
R3	=	
E	=	6.20
E1	=	17.27
e min	=	1.80
delta	=	36°
f	=	0.84
beta	=	45°

Powder Chamber

P1	=	20.38	
P2 ¹⁾ *	=	19.28	-0.20

Junction Cone

alpha	=	37°33'42"
S	=	100.39
r1 min	=	3.18
r2	=	5.08

Collar

H1 *	=	14.22
H2 ¹⁾	=	14.22

Projectile

G1 ¹⁾	=	12.98
G2	=	
F	=	
L3+G ¹⁾	=	108.53

Pressures (Energies)

Method Transducer

Pmax	=	3600 bar
PK	=	4140 bar
PE	=	4500 bar
M	=	25.00
EE	=	14870 Joule

Miscellaneous Dimensions

Fe	=	0.15
delta L	=	

CHAMBER MINI

Lengths

L1 *	=	72.21
L2 *	=	79.73
L3 ¹⁾	=	96.52

Breech

R	=	2.26
R1	=	20.52
R2	=	
R3	=	
r	=	

Powder Chamber

E	=	7.62
P1 ¹⁾	=	20.37
P2 *	=	19.31

Junction Cone

alpha ¹⁾	=	36°38'28"
S	=	101.37
r1 max	=	3.18
r2	=	6.35

Collar

H1 *	=	14.33
H2 ¹⁾	=	14.28

Commencement of Rifling

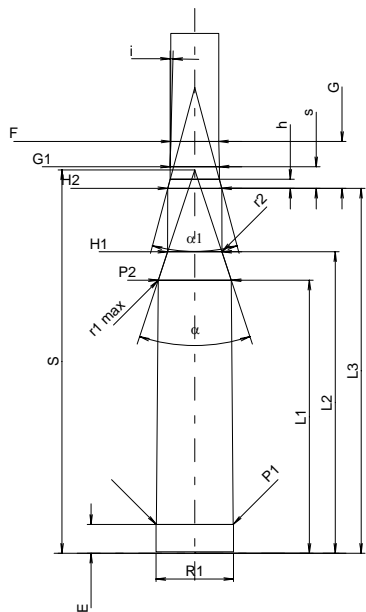
G1 ¹⁾ *	=	12.99
G ¹⁾ *	=	12.39
alpha1	=	29°57'59"
h	=	2.41
s *	=	5.72
i ¹⁾	=	1°25'01"
w	=	

Barrel

F ¹⁾ *	=	12.66
Z ¹⁾	=	12.93

Grooves

b	=	3.43
N	=	8
u	=	381.00
Q	=	129.63 mm ²



Scale 1:2

Dimensions in << mm >>
Dimensions and Tolerances for Proof Barrels
see Appendix CR 1.

Notes: 1) Check for safety reasons
* Basic dimensions