

C.I.P.

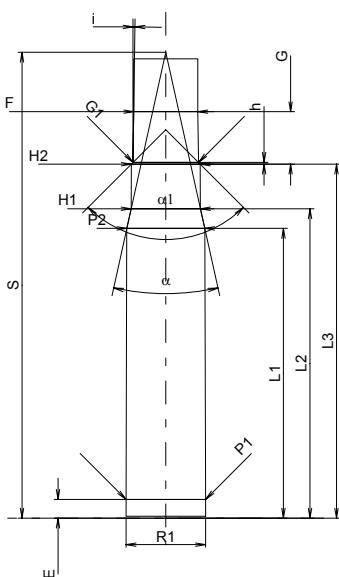
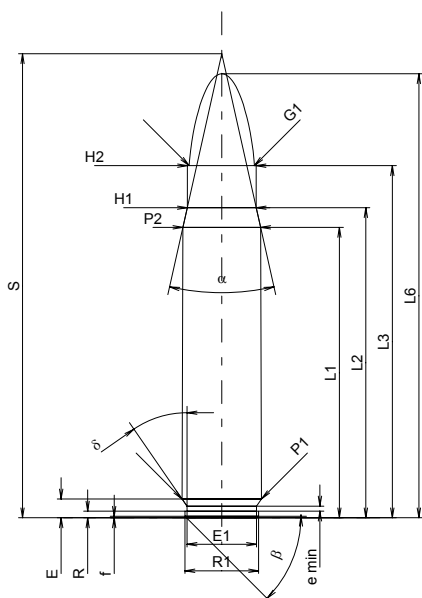
500 Jeffery

Country of Origin: GB

TAB. I

Date 99-01-12

Revision 02-05-15



Scale 1:1.5

Dimensions in << mm >>
Dimensions and Tolerances for Proof Barrels
see Appendix CR 1.

CARTRIDGE MAXI

Lengths

L1 ¹⁾	=	57.61	-0.20
L2 ¹⁾	=	61.52	-0.20
L3 ¹⁾	=	69.85	
L4	=		
L5	=		
L6	=	88.09	

Case Head

R	=	1.32	
R1	=	14.61	
R3	=		
E	=	3.73	
E1	=	13.77	
e min	=	1.00	
delta	=	34°39'36"	
f	=	0.30	
beta	=	45°	

Powder Chamber

P1	=	15.72	
P2 ¹⁾ *	=	15.42	-0.20

Junction Cone

alpha	=	25°13'41"	
S	=	92.06	
r1 min	=		
r2	=		

Collar

H1*	=	13.67	
H2 ¹⁾	=	13.61	

Projectile

G1 ¹⁾	=	12.95	
G2	=		
F	=		
L3+G ¹⁾	=	80.26	

Pressures (Energies)

Method Transducer

Pmax	=	3300 bar	
PK	=	3795 bar	
PE	=	4125 bar	
M	=	25.00	
EE	=	9660 Joule	

Miscellaneous Dimensions

Fe ¹⁾	=	0.15	
delta L	=		

CHAMBER MINI

Lengths

L1*	=	57.48	
L2*	=	61.39	
L3 ¹⁾	=	70.23	

Breech

R	=	1.32	
R1	=	15.77	
R2	=		
R3	=		
r	=		

Powder Chamber

E	=	3.73	
P1 ¹⁾	=	15.77	
P2*	=	15.47	

Junction Cone

alpha ¹⁾	=	24°56'56"	
S	=	92.44	
r1 max	=		
r2	=		

Collar

H1*	=	13.74	
H2 ¹⁾	=	13.69	

Commencement of Rifling

G1 ¹⁾ *	=	12.98	
G ¹⁾ *	=	10.41	
alpha1	=	90°	
h*	=	0.36	
s	=		
i ¹⁾	=	0°47'53"	
w	=		

Barrel

F ¹⁾ *	=	12.70	
Z ¹⁾	=	12.97	

Grooves

b	=	4.45	
N	=	6	
u	=	508.00	
Q	=	130.36	mm ²

Notes: 1) Check for safety reasons
* Basic dimensions