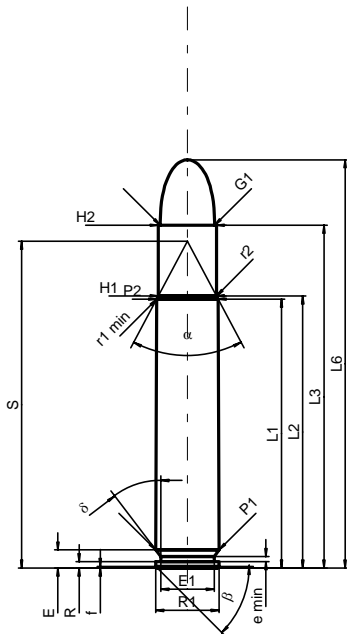


C.I.P.**10,75 x 68**

Ursprungsland: DE

TAB.	I
Datum	84-06-14
Revision	02-05-15

**PATRONE MAXI****Längen**

L1 ¹⁾ *	=	53.35	-0.20
L2 ¹⁾ *	=	54.00	-0.20
L3 ¹⁾	=	68.00	
L4	=		
L5	=	68.50	
L6	=	81.00	

Hülsenboden

R	=	1.30
R1	=	12.57
R3	=	
E	=	3.60
E1	=	10.60
e min	=	1.00
delta	=	37°06'36"
f	=	0.30
beta	=	45°

Pulverkammer

P1	=	12.57	
P2 ¹⁾ *	=	12.20	-0.20

Schulterkonus

alpha	=	55°54'58"
S	=	64.84
r1 min	=	0.50
r2	=	0.50

Hülsenhals

H1 *	=	11.51
H2 ¹⁾	=	11.51

Geschoss

G1 ¹⁾	=	10.78
G2	=	10.78
F	=	
L3+G ¹⁾	=	98.00

Drücke (Energien)**Mech. elektr. Wandler**

Pmax	=	3300 bar
PK	=	3795 bar
PE	=	4125 bar
M	=	25.00
EE	=	5040 Joule

Verschiedene Daten

Fe ¹⁾	=	0.15
delta L	=	

PATRONENLAGER MINI**Längen**

L1 *	=	53.32
L2 *	=	53.97
L3 ¹⁾	=	68.30

Stoßboden

R	=	1.30
R1	=	12.62
R2	=	
R3	=	
r	=	

Pulverkammer

E	=	3.60
P1 ¹⁾	=	12.60
P2 *	=	12.23

Schulterkonus

alpha ¹⁾	=	55°54'58"
S	=	64.84
r1 max	=	0.50
r2	=	0.50

Hülsenhals

H1 *	=	11.54
H2 ¹⁾	=	11.52

Geschossübergang

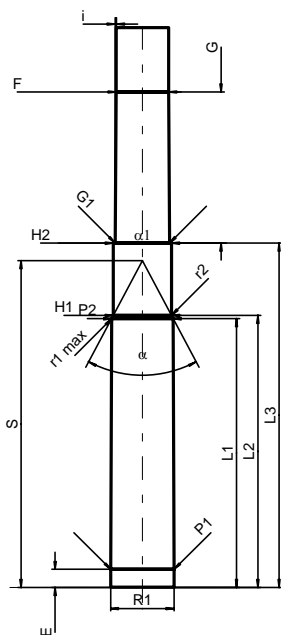
G1 ¹⁾ *	=	10.82
G ¹⁾ *	=	30.00
alpha1	=	180°
h	=	
s	=	
i ¹⁾	=	0°21'12"
w	=	

Lauf

F ¹⁾ *	=	10.45
Z ¹⁾	=	10.75

Züge

b	=	3.60
N	=	6
u	=	420.00
Q	=	89.07 mm ²



Maßstab 1:1.5

Maße in << mm >>
Maße und Toleranzen für Messläufe
siehe Anhang CR 1.

Bemerkungen: 1) Kontrolle aus Sicherheitsgründen
* Grundmaße